

P.E.D. tested 16 bar compressed air tanks, under high pressure – AP series

The AP tanks for compressed air under high pressure are used in all compressed air distribution systems with elevated pressure. The AP series is different from the AK series because of the operating pressure which is superior in the AP series.

The models, with CE label, are available in the vertical and horizontal version, with various capacities in function of the max operating pressure:

- 16 bar version: 300 up to 10.000 litres
- 18 bar version: 100 up to 5.000 litres
- 20 bar version: 4.000 up to 10.000 litres
- 25 bar version: 300 up to 6.000 litres
- 30 bar version: 800 up to 6.000 litres
- 35 bar version: 100 up to 3.000 litres
- 64 bar version: 100 up to 1.000 litres

✓ Special versions

The AK storage tanks can be modified on demand in order to meet your specific requirements.

✓ **Material:** carbon steel

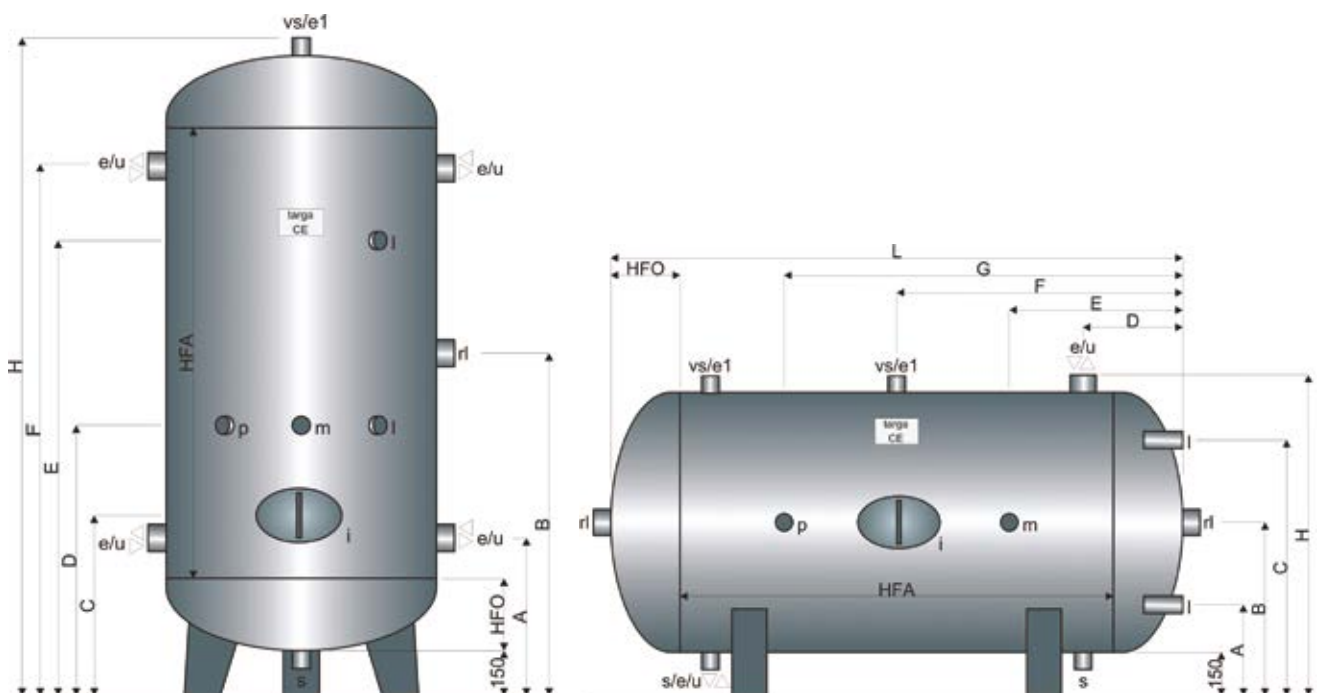
✓ **Protective treatment:** hot dip galvanizing and external coating

✓ **Operative conditions**

The storage tanks have a max pressure of 16, 18, 20, 25, 30, 35, 64 bar and operating temperatures from -10 to +50°C.

Couplings

s	discharge
vs	safety valve
m	manometer
p	pressostat
i	inspection
e	water inlet
u	water outlet
e1	air inlet
l	level
r	back-up



P.E.D. tested 16 bar compressed air tanks, under high pressure – AP series

Vertical

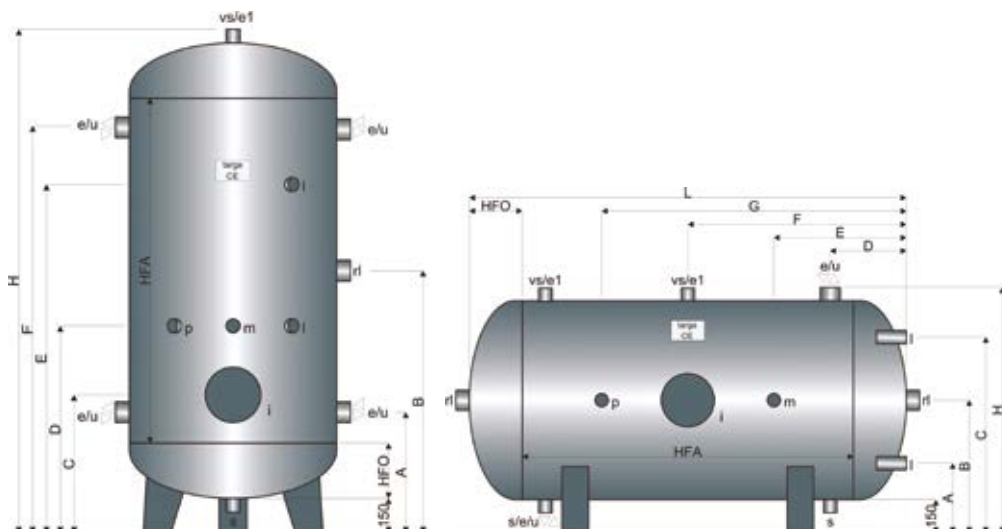
capacity l	Ø mm	HFO mm	HFA mm	A mm	B mm	C mm	D mm	E mm	F mm	H mm	weight kg	e/u (*) inch	L/m/p (*) inch	vs/e1/rl/s (*) inch	i mm
300	500	165	1250	415	940	465	665	1415	1465	1760	99	1	1/2	1 1/4	*
500	650	200	1250	450	975	500	700	1450	1500	1830	144	1 1/2	1/2	1 1/4	*
800	800	240	1250	500	1015	540	740	1490	1530	1910	232	2	1/2	1 1/4	*
1000	800	240	1700	500	1240	540	990	1890	1980	2360	281	2	1/2	1 1/4	*
1500	950	280	1750	550	1305	680	1030	2030	2060	2490	365	2	1/2	1 1/4	*
2000	1000	310	2000	600	1460	710	1060	2060	2320	2800	481	2	1/2	1 1/4	*
2500	1250	360	1500	660	1260	760	910	1810	1860	2400	568	2	1/2	1 1/4	*
3000	1250	360	2000	660	1510	760	1210	2210	2360	2900	670	2 1/2	1/2	1 1/4	*
3500	1400	410	1800	800	1460	860	1260	2260	2120	2800	820	3	1/2	1 1/4	***
4000	1400	410	2000	800	1560	860	1260	2260	2320	3000	898	3	1/2	1 1/4	**/**
5000	1450	425	2500	815	1825	875	1375	2375	2835	3530	1080	3	1/2	1 1/4	**/**
7000	1650	470	2500	860	1870	920	1420	2920	2880	3620	1556	3	1/2	1 1/4	**/**
8000	1650	470	3000	860	2120	920	1420	2920	3380	4120	1741	4	1/2	1 1/4	**/**
10000	1650	470	4000	860	2620	920	1620	3120	4380	5120	2106	4	1/2	1 1/4	**/**

Horizontal

capacity l	Ø mm	HFO mm	HFA mm	A mm	B mm	C mm	D mm	E mm	F mm	G mm	H mm	L mm	weight kg	e/u/s (*) inch	L/m/p (*) inch	rl (*) inch	vs/e1 (*) inch	i mm
300	500	165	1250	220	400	580	265	440	790	1140	680	1580	99	1	1/2	1 1/4	1	*
500	650	200	1250	250	475	700	300	475	825	1175	830	1650	144	1 1/2	1/2	1 1/4	1 1/2	*
800	800	240	1250	270	550	830	350	515	865	1215	980	1730	232	2	1/2	1 1/4	2	*
1000	800	240	1700	270	550	830	350	765	1090	1415	980	2180	281	2	1/2	1 1/4	2	*
1500	950	280	1750	300	625	950	400	805	1155	1505	1130	2310	365	2	1/2	1 1/4	2	*
2000	1000	310	2000	300	650	1000	450	910	1310	1710	1180	2620	481	2	1/2	1 1/4	2	*
2500	1250	360	1500	338	775	1213	510	860	1110	1360	1430	2220	568	3	1/2	1 1/4	3	*
3000	1250	360	2000	338	775	1213	510	960	1360	1760	1430	2720	670	3	1/2	1 1/4	3	*
3500	1400	410	1800	350	850	1350	650	1010	1310	1610	1580	2620	820	3	1/2	1 1/4	3	***
4000	1400	410	2000	350	850	1350	650	1010	1410	1810	1580	2820	898	4	1/2	1 1/4	4	**/**
5000	1450	425	2500	375	875	1375	665	1175	1675	2175	1630	3350	1080	4	1/2	1 1/4	4	**/**
7000	1650	470	2500	400	975	1550	710	1220	1720	2220	1830	3440	1556	4	1/2	1 1/4	4	**/**
8000	1650	470	3000	400	975	1550	710	1470	1970	2470	1830	3940	1741	4	1/2	1 1/4	4	**/**
10000	1650	470	4000	400	975	1550	710	1720	2470	3220	1830	4940	2106	4	1/2	1 1/4	4	**/**

Inspection hole on demand: * 100x150; ** 220x320; *** 300x400

P.E.D. tested 18 bar compressed air tanks, under high pressure – AP series



Couplings

s	discharge
vs	safety valve
m	manometer
p	pressostat
i	inspection
e	water inlet
u	water outlet
e1	air inlet
l	level
r	back-up

Vertical

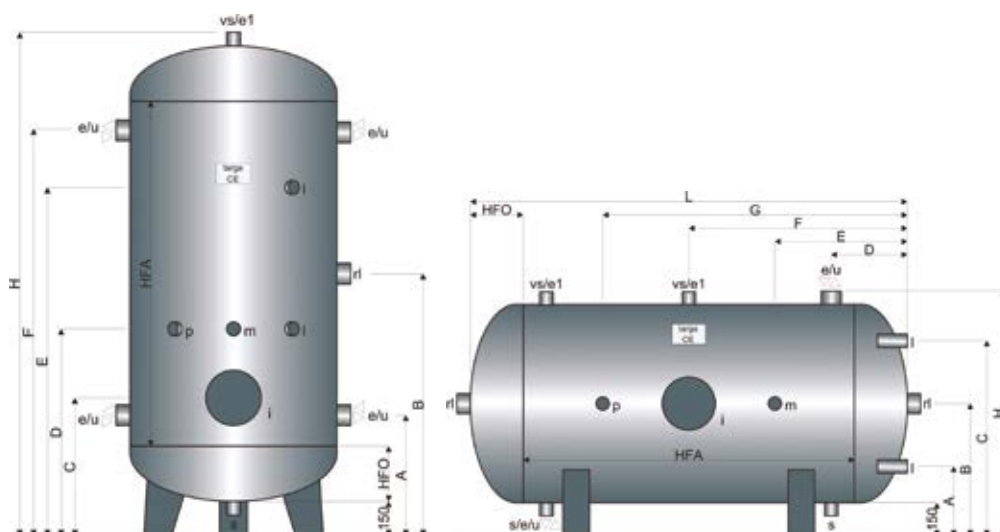
capacity l	Ø mm	HFO mm	HFA mm	A mm	B mm	C mm	D mm	E mm	F mm	H mm	weight kg	e/u (*) inch	L/m/p (*) inch	vs/e1/rl/s (*) inch	i mm
100	350	120	1000	370	770	420	570	1070	1170	1420	82	1	1/2	1 1/4	*
200	450	150	1000	400	800	450	650	1150	1200	1480	110	1	1/2	1 1/4	*
300	500	165	1250	415	940	465	665	1365	1465	1760	146	1	1/2	1 1/4	*
500	650	200	1250	450	975	500	750	1450	1500	1830	199	1 1/2	1/2	1 1/4	*
800	800	240	1250	500	1015	540	790	1490	1530	1910	259	2	1/2	1 1/4	*
1000	800	240	1700	500	1240	540	990	1890	1980	2360	319	2	1/2	1 1/4	*
1500	950	280	1750	560	1305	580	1030	2030	2050	2490	408	2	1/2	1 1/4	*
2000	1100	330	1750	610	1355	630	1080	2080	2100	2590	516	2	1/2	1 1/4	*
2500	1250	360	1500	660	1260	660	910	1810	1860	2400	653	2	1/2	1 1/4	*
3000	1250	360	2000	660	1510	660	1210	2210	2360	2900	772	2 1/2	1/2	1 1/4	*
4000	1400	410	2000	780	1560	710	1260	2260	2340	3000	1067	3	1/2	1 1/4	*
5000	1450	425	2500	795	1825	725	1375	2375	2855	3530	1279	3	1/2	1 1/4	*

Horizontal

capacity l	Ø mm	HFO mm	HFA mm	A mm	B mm	C mm	D mm	E mm	F mm	G mm	H mm	L mm	weight kg	e/u/s (*) inch	L/m/p (*) inch	rl (*) inch	vs/e1 (*) inch	i mm
100	350	120	1000	195	325	475	220	320	620	920	530	1240	82	1	1/2	1 1/4	1	*
200	450	150	1000	225	375	555	250	350	650	950	630	1300	110	1	1/2	1 1/4	1	*
300	500	165	1250	220	400	625	265	440	790	1140	680	1580	146	1	1/2	1 1/4	1	*
500	650	200	1250	250	475	755	300	475	825	1175	830	1650	199	1 1/2	1/2	1 1/4	1 1/2	*
800	800	240	1250	270	550	830	350	515	865	1215	980	1730	259	2	1/2	1 1/4	2	*
1000	800	240	1700	270	550	875	350	765	1090	1415	980	2180	319	2	1/2	1 1/4	2	*
1500	950	280	1750	300	625	1010	410	805	1155	1505	1130	2310	408	2	1/2	1 1/4	2	*
2000	1100	330	1750	315	700	1138	460	855	1205	1555	1280	2410	516	2	1/2	1 1/4	2	*
2500	1250	360	1500	338	775	1213	510	860	1110	1360	1430	2220	653	2	1/2	1 1/4	2	*
3000	1250	360	2000	338	775	1275	510	960	1360	1760	1430	2720	772	2 1/2	1/2	1 1/4	2 1/2	*
4000	1400	410	2000	350	850	1350	630	1010	1410	1810	1580	2820	1067	3	1/2	1 1/4	3	*
5000	1450	425	2500	375	875	1475	645	1175	1675	2175	1630	3350	1279	3	1/2	1 1/4	3	*

*Inspection hole on demand

P.E.D. tested 20 bar compressed air tanks, under high pressure – AP series



Couplings

s	discharge
vs	safety valve
m	manometer
p	pressostat
i	inspection
e	water inlet
u	water outlet
e1	air inlet
l	level
r	back-up

Vertical

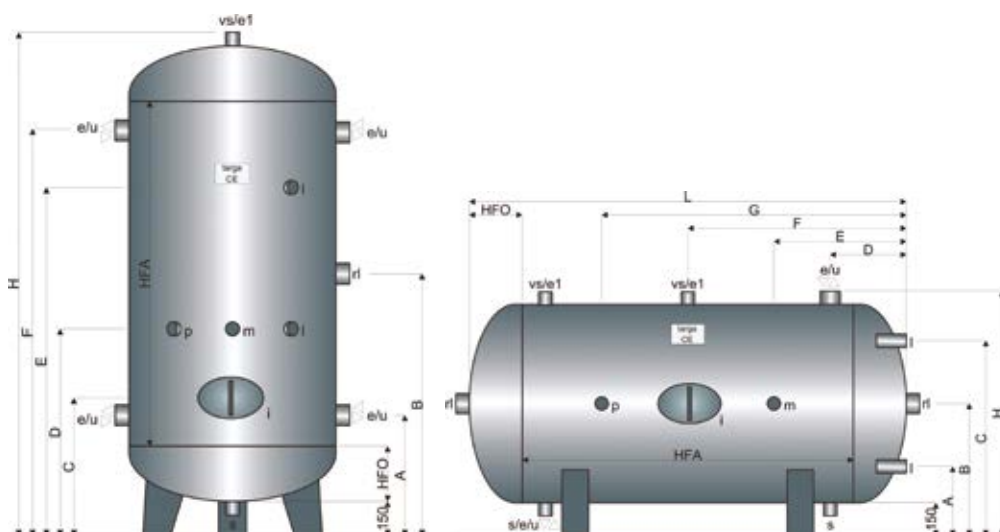
capacity l	Ø mm	HFO mm	HFA mm	A mm	B mm	C mm	D mm	E mm	F mm	H mm	weight kg	e/u (*) inch	L/m/p (*) inch	vs/e1/rl/s (*) inch	i mm
4000	1400	410	2000	810	1560	850	1260	2260	2310	3000	1222	3	1/2	1 1/4	*
5000	1450	420	2500	820	1820	875	1370	2370	2820	3520	1479	3	1/2	1 1/4	*
6000	1600	460	2300	860	1760	950	1410	2910	2660	3400	1628	3	1/2	1 1/4	*
7000	1650	480	2500	880	1880	975	1430	2930	2880	3640	1902	4	1/2	1 1/4	*
8000	1650	480	3000	880	2130	975	1430	2930	3380	4140	2130	4	1/2	1 1/4	*
9000	1600	460	4000	860	2610	950	1610	3110	4360	5100	2382	4	1/2	1 1/4	*
10000	1650	480	4000	880	2630	975	1630	3130	4380	5140	2586	4	1/2	1 1/4	*

Horizontal

capacity l	Ø mm	HFO mm	HFA mm	A mm	B mm	C mm	D mm	E mm	F mm	G mm	H mm	L mm	weight kg	e/u/s (*) inch	L/m/p (*) inch	rl/vs/e1 (*) inch	i mm
4000	1400	410	2000	350	850	1350	660	1010	1410	1810	1580	2820	1222	3	1/2	1 1/4	*
5000	1450	420	2500	375	875	1375	670	1170	1670	2170	1630	3340	1479	3	1/2	1 1/4	*
6000	1600	460	2300	450	950	1450	710	1210	1610	2010	1780	3220	1628	3	1/2	1 1/4	*
7000	1650	480	2500	475	975	1475	730	1230	1730	2230	1830	3460	1902	4	1/2	1 1/4	*
8000	1650	480	3000	475	975	1475	730	1480	1980	2480	1830	3960	2130	4	1/2	1 1/4	*
9000	1600	460	4000	450	950	1450	710	1710	2460	3210	1780	4920	2382	4	1/2	1 1/4	*
10000	1650	480	4000	475	975	1475	730	1730	2480	3230	1830	4960	2586	4	1/2	1 1/4	*

*Inspection hole on demand

P.E.D. tested 25 bar compressed air tanks, under high pressure – AP series



Couplings

s	discharge
vs	safety valve
m	manometer
p	pressostat
i	inspection
e	water inlet
u	water outlet
e1	air inlet
l	level
r	back-up

Vertical

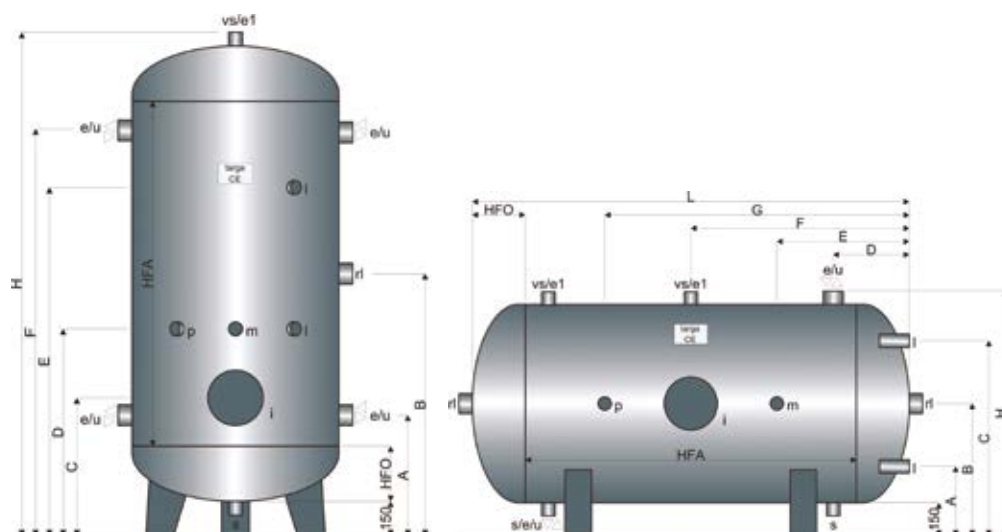
capacity l	Ø mm	HFO mm	HFA mm	A mm	B mm	C mm	D mm	E mm	F mm	H mm	weight kg	e/u (*) inch	L/m/p (*) inch	vs/e1/rl/s (*) inch	i mm
300	500	165	1250	415	940	n.p.	715	1415	1465	1760	146	1	1/2	1 1/4	n.p.
500	650	200	1250	460	975	n.p.	750	1450	1490	1830	200	1 1/2	1/2	1 1/4	n.p.
800	800	240	1250	510	1015	n.p.	790	1490	1520	1910	272	2	1/2	1 1/4	n.p.
1000	800	240	1700	510	1240	n.p.	990	1890	1970	2360	332	2	1/2	1 1/4	n.p.
1500	950	280	1750	570	1305	690	1030	1930	2040	2490	544	2	1/2	1 1/4	***
2000	1000	310	2000	600	1460	720	1260	2260	2320	2800	638	2	1/2	1 1/4	**/**
2500	1250	371	1500	691	1271	801	921	1821	1851	2422	882	2	1/2	1 1/4	**/**
3000	1250	371	2000	691	1521	801	1321	2321	2351	2922	1054	2 1/2	1/2	1 1/4	**/**
3000	1400	415	1500	805	1315	895	965	1765	1825	2510	1238	2 1/2	1/2	1 1/4	**/**
4000	1400	415	2000	805	1565	895	1265	2265	2325	3010	1471	3	1/2	1 1/4	**/**
5000	1450	430	2500	820	1830	910	1280	2280	2840	3540	1780	3	1/2	1 1/4	**/**
5000	1650	490	1700	900	1490	990	1240	2240	2080	2860	1934	3	1/2	1 1/4	**/**
6000	1450	430	3000	820	2080	910	1580	2580	3340	4040	2061	3	1/2	1 1/4	**/**
6000	1650	490	2000	900	1640	990	1240	2240	2380	3160	2166	3	1/2	1 1/4	**/**

Horizontal

capacity l	Ø mm	HFO mm	HFA mm	A mm	B mm	C mm	D mm	E mm	F mm	G mm	H mm	L mm	weight kg	e/u/s/vs/e1 (*) inch	L/m/p (*) inch	rl (*) inch	i mm
300	500	165	1250	250	400	550	265	440	790	1140	680	1580	146	1	1/2	1 1/4	n.p.
500	650	200	1250	265	475	685	310	475	825	1175	830	1650	200	1 1/2	1/2	1 1/4	n.p.
800	800	240	1250	300	550	800	360	515	865	1215	980	1730	272	2	1/2	1 1/4	n.p.
1000	800	240	1700	300	550	800	360	765	1090	1415	980	2180	332	2	1/2	1 1/4	n.p.
1500	950	280	1750	300	625	950	420	805	1155	1505	1130	2310	544	2	1/2	1 1/4	***
2000	1000	310	2000	300	650	1000	450	810	1310	1810	1180	2620	638	2	1/2	1 1/4	**/**
2500	1250	371	1500	345	775	1205	541	871	1121	1371	1430	2242	882	2	1/2	1 1/4	**/**
3000	1250	371	2000	345	775	1205	541	971	1371	1771	1430	2742	1054	2 1/2	1/2	1 1/4	**/**
3000	1400	415	1500	350	850	1350	655	1165	1165	1165	1580	2330	1238	2 1/2	1/2	1 1/4	**/**
4000	1400	415	2000	350	850	1350	655	1015	1415	1815	1580	2830	1471	3	1/2	1 1/4	**/**
5000	1450	430	2500	375	875	1375	670	1180	1680	2180	1630	3360	1780	3	1/2	1 1/4	**/**
5000	1650	490	1700	475	975	1475	750	990	1340	1690	1830	2680	1934	3	1/2	1 1/4	**/**
6000	1450	430	3000	375	875	1375	670	1180	1930	2680	1630	3860	2061	3	1/2	1 1/4	**/**
6000	1650	490	2000	475	975	1475	750	1090	1490	1890	1830	2980	2166	3	1/2	1 1/4	**/**

* Inspection hole on demand ** 320x420; *** 300x400.

P.E.D. tested 30 bar compressed air tanks, under high pressure – AP series



Couplings

s	discharge
vs	safety valve
m	manometer
p	pressostat
i	inspection
e	water inlet
u	water outlet
e1	air inlet
l	level
r	back-up

Vertical

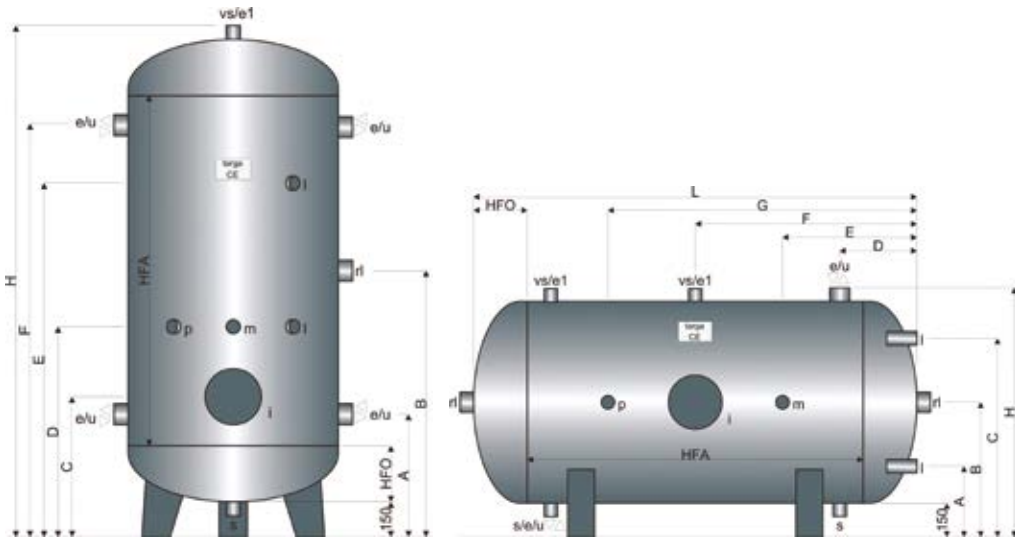
capacity l	Ø mm	HFO mm	HFA mm	A mm	B mm	C mm	D mm	E mm	F mm	H mm	weight kg	e/u (*) inch	L/m/p (*) inch	vs/e1/rl/s (*) inch	i mm
800	800	250	1250	530	1025	700	750	1450	1520	1930	427	2	1/2	1 1/4	*
1000	800	250	1700	530	1250	700	900	1850	1970	2380	527	2	1/2	1 1/4	*
1500	900	285	2000	585	1435	785	935	1885	2285	2750	695	2	1/2	1 1/4	*
2000	1100	340	1750	640	1365	840	990	1990	2090	2610	813	2	1/2	1 1/4	*
3000	1100	340	2500	710	1740	840	1490	2490	2770	3360	1050	2 1/2	1/2	1 1/4	*
5000	1450	440	2500	840	1840	990	1590	2590	2840	3560	2073	3	1/2	1 1/4	*
6000	1450	440	3000	840	2090	990	1590	3090	3340	4060	2393	3	1/2	1 1/4	*

Horizontal

capacity l	Ø mm	HFO mm	HFA mm	A mm	B mm	C mm	D mm	E mm	F mm	G mm	H mm	L mm	weight kg	e/u/s/vs/e1 (*) inch	L/m/p (*) inch	rl (*) inch	i mm
800	800	250	1250	300	550	800	380	525	875	1225	980	1750	427	2	1/2	1 1/4	*
1000	800	250	1700	300	550	800	380	775	1100	1425	980	2200	527	2	1/2	1 1/4	*
1500	950	280	1750	300	625	950	430	805	1155	1505	1130	2310	695	2	1/2	1 1/4	*
2000	1100	340	1750	300	700	1100	490	865	1215	1565	1280	2430	813	2	1/2	1 1/4	*
3000	1100	340	2500	300	700	1100	490	940	1590	2240	1280	3180	1050	2 1/2	1/2	1 1/4	*
5000	1450	440	2500	375	875	1375	690	1190	1690	2190	1630	3380	2073	3	1/2	1 1/4	*
6000	1450	440	3000	375	875	1375	690	1190	1940	2690	1630	3880	2393	3	1/2	1 1/4	*

* Inspection hole on demand ** 320x420; *** 300x400.

P.E.D. tested 35 bar compressed air tanks, under high pressure – AP series



Couplings

s	discharge
vs	safety valve
m	manometer
p	pressostat
i	inspection
e	water inlet
u	water outlet
e1	air inlet
l	level
r	back-up

Vertical

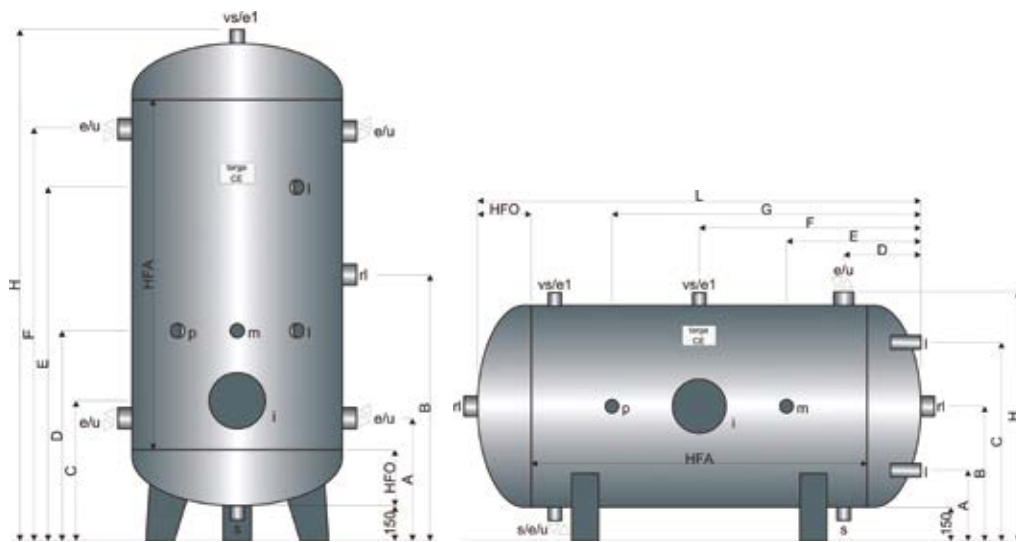
capacity l	Ø mm	HFO mm	HFA mm	A mm	B mm	C mm	D mm	E mm	F mm	H mm	weight kg	e/u (*) inch	L/m/p (*) inch	vs/e1/rl/s (*) inch	i mm
100	350	120	1000	370	770	420	570	1070	1170	1420	81	1	1/2	1 1/4	*
200	450	150	1000	400	800	500	600	1100	1200	1480	109	1	1/2	1 1/4	*
300	500	165	1250	415	940	515	665	1365	1465	1760	144	1	1/2	1 1/4	*
500	650	205	1250	475	980	605	705	1405	1485	1840	229	1 1/2	1/2	1 1/4	*
800	800	250	1250	530	1025	650	750	1450	1520	1930	427	2	1/2	1 1/4	*
1000	800	250	1700	530	1250	650	1000	1900	1970	2380	527	2	1/2	1 1/4	*
1500	950	295	1750	655	1320	695	1045	1945	1985	2520	676	2	1/2	1 1/4	*
2000	1000	315	2000	685	1465	715	1065	2065	2245	2810	954	2	1/2	1 1/4	*
2000	1100	350	1750	740	1375	800	1100	2000	2010	2630	982	2	1/2	1 1/4	*
2500	1250	390	1500	780	1290	890	940	1740	1800	2460	1238	2	1/2	1 1/4	*
3000	1250	390	2000	780	1540	890	1240	2240	2300	2960	1476	2 1/2	1/2	1 1/4	*

Horizontal

capacity l	Ø mm	HFO mm	HFA mm	A mm	B mm	C mm	D mm	E mm	F mm	G mm	H mm	L mm	weight kg	e/u/s/vs/e1 (*) inch	L/m/p (*) inch	rl (*) pollici	i mm
100	350	120	1000	215	325	435	220	320	620	920	530	1240	81	1	1/2	1 1/4	*
200	450	150	1000	235	375	515	250	350	650	950	630	1300	109	1	1/2	1 1/4	*
300	500	165	1250	250	400	550	265	440	790	1140	680	1580	144	1	1/2	1 1/4	*
500	650	205	1250	265	475	685	325	480	830	1180	830	1660	229	1 1/2	1/2	1 1/4	*
800	800	250	1250	300	550	800	380	525	875	1225	980	1750	427	2	1/2	1 1/4	*
1000	800	250	1700	300	550	800	380	775	1100	1425	980	2200	527	2	1/2	1 1/4	*
1500	950	295	1750	300	625	950	505	820	1170	1520	1130	2340	676	2	1/2	1 1/4	*
2000	1000	315	2000	300	650	1000	535	915	1315	1715	1180	2630	954	2	1/2	1 1/4	*
2000	1100	350	1750	315	700	1085	590	875	1225	1575	1280	2450	982	2	1/2	1 1/4	*
2500	1250	390	1500	345	775	1205	630	890	1140	1390	1430	2280	1238	2	1/2	1 1/4	*
3000	1250	390	2000	345	775	1205	630	990	1390	1790	1430	2780	1476	2 1/2	1/2	1 1/4	*

* Inspection hole on demand

P.E.D. tested 64 bar compressed air tanks, under high pressure – AP series



Couplings

s	discharge
vs	safety valve
m	manometer
p	pressostat
i	inspection
e	water inlet
u	water outlet
e1	air inlet
l	level
r	back-up

Vertical

capacity l	Ø mm	HFO mm	HFA mm	A mm	B mm	C mm	D mm	E mm	F mm	H mm	weight kg	e/u (*) inch	L/m/p (*) inch	vs/e1/rl/s (*)inch	i mm
100	350	130	1000	390	780	480	580	1080	1170	1440	94	1	1/2	1 1/4	*
200	450	165	1000	435	815	515	615	1115	1195	1510	178	1	1/2	1 1/4	*
300	500	182	1250	462	957	582	682	1382	1452	1794	237	1	1/2	1 1/4	*
500	650	230	1250	530	1005	680	730	1430	1480	1890	389	1 1/2	1/2	1 1/4	*
800	750	270	1500	580	1170	720	770	1470	1760	2220	620	2	1/2	1 1/4	*
1000	750	270	2000	580	1420	720	1020	2020	2260	2720	765	2	1/2	1 1/4	*

Horizontal

capacity l	Ø mm	HFO mm	HFA mm	A mm	B mm	C mm	D mm	E mm	F mm	G mm	H mm	L mm	weight kg	e/u/s/vs/e1 (*) inch	L/m/p (*) inch	rl (*) pollici	i mm
100	350	130	1000	215	325	435	240	330	630	930	530	1260	94	1	1/2	1 1/4	*
200	450	165	1000	235	375	515	285	365	665	965	630	1330	178	1	1/2	1 1/4	*
300	500	182	1250	250	400	550	312	457	807	1157	680	1614	237	1	1/2	1 1/4	*
500	650	230	1250	265	475	685	380	505	855	1205	830	1710	389	1 1/2	1/2	1 1/4	*
800	750	270	1500	275	525	775	430	545	1020	1495	930	2040	620	2	1/2	1 1/4	*
1000	750	270	2000	275	525	775	430	795	1270	1745	930	2540	765	2	1/2	1 1/4	*

* Inspection hole on demand

Product codes of P.E.D. tested varnished high pressure tanks

PN 16 bar

Vertical			Horizontal		
Code	Description	Price	Code	Description	Price
866010139X	H.P. VERN 100L PED 16BAR VERT		866010162X	H.P. VERN 100L PED 16BAR ORIZZ	
866010140X	H.P. VERN 200L PED 16BAR VERT		866010163X	H.P. VERN 200L PED 16BAR ORIZZ	
866010141X	H.P. VERN 300L PED 16BAR VERT		866010164X	H.P. VERN 300L PED 16BAR ORIZZ	
866010142X	H.P. VERN 500L PED 16BAR VERT		866010165X	H.P. VERN 500L PED 16BAR ORIZZ	
866010143X	H.P. VERN 800L PED 16BAR VERT		866010166X	H.P. VERN 800L PED 16BAR ORIZZ	
866010144X	H.P. VERN 1000L PED 16BAR VERT		866010167X	H.P. VERN 1000L PED 16BAR ORIZZ	
866010145X	H.P. VERN 1500L PED 16BAR VERT		866010168X	H.P. VERN 1500L PED 16BAR ORIZZ	
866010146X	H.P. VERN 2000L PED 16BAR VERT		866010169X	H.P. VERN 2000L PED 16BAR ORIZZ	
866010147X	H.P. VERN 2000B L PED 16BAR VERT		866010170X	H.P. VERN 2000B L PED 16BAR ORIZZ	
866010148X	H.P. VERN 2500L PED 16BAR VERT		866010171X	H.P. VERN 2500L PED 16BAR ORIZZ	
866010149X	H.P. VERN 3000L PED 16BAR VERT		866010172X	H.P. VERN 3000L PED 16BAR ORIZZ	
866010150X	H.P. VERN 3000B L PED 16BAR VERT	◆	866010173X	H.P. VERN 3000B L PED 16BAR ORIZZ	◆
866010151X	H.P. VERN 3500L PED 16BAR VERT		866010174X	H.P. VERN 3500L PED 16BAR ORIZZ	
866010152X	H.P. VERN 4000L PED 16BAR VERT		866010175X	H.P. VERN 4000L PED 16BAR ORIZZ	
866010153X	H.P. VERN 5000L PED 16BAR VERT		866010176X	H.P. VERN 5000L PED 16BAR ORIZZ	
866010154X	H.P. VERN 5000B L PED 16BAR VERT	◆	866010177X	H.P. VERN 5000B L PED 16BAR ORIZZ	◆
866010155X	H.P. VERN 6000L PED 16BAR VERT	◆	866010178X	H.P. VERN 6000L PED 16BAR ORIZZ	◆
866010156X	H.P. VERN 6000B L PED 16BAR VERT	◆	866010179X	H.P. VERN 6000B L PED 16BAR ORIZZ	◆
866010157X	H.P. VERN 7000L PED 16BAR VERT	◆	866010180X	H.P. VERN 7000L PED 16BAR ORIZZ	◆
866010158X	H.P. VERN 8000L PED 16BAR VERT	◆	866010181X	H.P. VERN 8000L PED 16BAR ORIZZ	◆
866010159X	H.P. VERN 9000L PED 16BAR VERT	◆	866010182X	H.P. VERN 9000L PED 16BAR ORIZZ	◆
866010160X	H.P. VERN 9500L PED 16BAR VERT	◆	866010183X	H.P. VERN 9500L PED 16BAR ORIZZ	◆
866010161X	H.P. VERN 10000L PED 16BAR VERT	◆	866010184X	H.P. VERN 10000L PED 16BAR ORIZZ	◆

PN 18 bar

Vertical			Horizontal		
Code	Description	Price	Code	Description	Price
866010185X	H.P. VERN 100L PED 18BAR VERT		866010200X	H.P. VERN 100L PED 18BAR ORIZZ	
866010186X	H.P. VERN 200L PED 18BAR VERT		866010201X	H.P. VERN 200L PED 18BAR ORIZZ	
866010187X	H.P. VERN 300L PED 18BAR VERT		866010202X	H.P. VERN 300L PED 18BAR ORIZZ	
866010188X	H.P. VERN 500L PED 18BAR VERT		866010203X	H.P. VERN 500L PED 18BAR ORIZZ	
866010189X	H.P. VERN 800L PED 18BAR VERT		866010204X	H.P. VERN 800L PED 18BAR ORIZZ	
866010190X	H.P. VERN 1000L PED 18BAR VERT		866010205X	H.P. VERN 1000L PED 18BAR ORIZZ	
866010191X	H.P. VERN 1500L PED 18BAR VERT		866010206X	H.P. VERN 1500L PED 18BAR ORIZZ	
866010192X	H.P. VERN 2000L PED 18BAR VERT		866010207X	H.P. VERN 2000L PED 18BAR ORIZZ	
866010193X	H.P. VERN 2000B L PED 18BAR VERT		866010208X	H.P. VERN 2000B L PED 18BAR ORIZZ	
866010194X	H.P. VERN 2500L PED 18BAR VERT		866010209X	H.P. VERN 2500L PED 18BAR ORIZZ	
866010195X	H.P. VERN 3000L PED 18BAR VERT		866010210X	H.P. VERN 3000L PED 18BAR ORIZZ	
866010196X	H.P. VERN 3000B L PED 18BAR VERT		866010211X	H.P. VERN 3000B L PED 18BAR ORIZZ	
866010197X	H.P. VERN 3500L PED 18BAR VERT	◆	866010212X	H.P. VERN 3500L PED 18BAR ORIZZ	◆
866010198X	H.P. VERN 4000L PED 18BAR VERT	◆	866010213X	H.P. VERN 4000L PED 18BAR ORIZZ	◆
866010199X	H.P. VERN 5000L PED 18BAR VERT	◆	866010214X	H.P. VERN 5000L PED 18BAR ORIZZ	◆

◆ Request quotation

Product code of P.E.D. tested varnished high pressure tanks

PN 20 bar

Vertical			Horizontal		
Code	Description	Price	Code	Description	Price
866010215X	H.P. VERN 100L PED 20BAR VERT	◆	866010238X	H.P. VERN 100L PED 20BAR ORIZZ	◆
866010216X	H.P. VERN 200L PED 20BAR VERT	◆	866010239X	H.P. VERN 200L PED 20BAR ORIZZ	◆
866010217X	H.P. VERN 300L PED 20BAR VERT	◆	866010240X	H.P. VERN 300L PED 20BAR ORIZZ	◆
866010218X	H.P. VERN 500L PED 20BAR VERT	◆	866010241X	H.P. VERN 500L PED 20BAR ORIZZ	◆
866010219X	H.P. VERN 800L PED 20BAR VERT	◆	866010242X	H.P. VERN 800L PED 20BAR ORIZZ	◆
866010220X	H.P. VERN 1000L PED 20BAR VERT	◆	866010243X	H.P. VERN 1000L PED 20BAR ORIZZ	◆
866010221X	H.P. VERN 1500L PED 20BAR VERT	◆	866010244X	H.P. VERN 1500L PED 20BAR ORIZZ	◆
866010222X	H.P. VERN 2000L PED 20BAR VERT	◆	866010245X	H.P. VERN 2000L PED 20BAR ORIZZ	◆
866010223X	H.P. VERN 2000B L PED 20BAR VERT	◆	866010246X	H.P. VERN 2000B L PED 20BAR ORIZZ	◆
866010224X	H.P. VERN 2500L PED 20BAR VERT	◆	866010247X	H.P. VERN 2500L PED 20BAR ORIZZ	◆
866010225X	H.P. VERN 3000L PED 20BAR VERT	◆	866010248X	H.P. VERN 3000L PED 20BAR ORIZZ	◆
866010226X	H.P. VERN 3000B L PED 20BAR VERT	◆	866010249X	H.P. VERN 3000B L PED 20BAR ORIZZ	◆
866010227X	H.P. VERN 3500L PED 20BAR VERT	◆	866010250X	H.P. VERN 3500L PED 20BAR ORIZZ	◆
866010228X	H.P. VERN 4000L PED 20BAR VERT	◆	866010251X	H.P. VERN 4000L PED 20BAR ORIZZ	◆
866010229X	H.P. VERN 5000L PED 20BAR VERT	◆	866010252X	H.P. VERN 5000L PED 20BAR ORIZZ	◆
866010230X	H.P. VERN 5000B L PED 20BAR VERT	◆	866010253X	H.P. VERN 5000B L PED 20BAR ORIZZ	◆
866010231X	H.P. VERN 6000L PED 20BAR VERT	◆	866010254X	H.P. VERN 6000L PED 20BAR ORIZZ	◆
866010232X	H.P. VERN 6000B L PED 20BAR VERT	◆	866010255X	H.P. VERN 6000B L PED 20BAR ORIZZ	◆
866010233X	H.P. VERN 7000L PED 20BAR VERT	◆	866010256X	H.P. VERN 7000L PED 20BAR ORIZZ	◆
866010234X	H.P. VERN 8000L PED 20BAR VERT	◆	866010257X	H.P. VERN 8000L PED 20BAR ORIZZ	◆
866010235X	H.P. VERN 9000L PED 20BAR VERT	◆	866010258X	H.P. VERN 9000L PED 20BAR ORIZZ	◆
866010236X	H.P. VERN 9500L PED 20BAR VERT	◆	866010259X	H.P. VERN 9500L PED 20BAR ORIZZ	◆
866010237X	H.P. VERN 10000L PED 20BAR VERT	◆	866010260X	H.P. VERN 10000L PED 20BAR ORIZZ	◆

PN 25 bar

Vertical			Horizontal		
Code	Description	Price	Code	Description	Price
866010261X	H.P. VERN 100L PED 25BAR VERT	◆	866010284X	H.P. VERN 100L PED 25BAR ORIZZ	◆
866010262X	H.P. VERN 200L PED 25BAR VERT	◆	866010285X	H.P. VERN 200L PED 25BAR ORIZZ	◆
866010263X	H.P. VERN 300L PED 25BAR VERT	◆	866010286X	H.P. VERN 300L PED 25BAR ORIZZ	◆
866010264X	H.P. VERN 500L PED 25BAR VERT	◆	866010287X	H.P. VERN 500L PED 25BAR ORIZZ	◆
866010265X	H.P. VERN 800L PED 25BAR VERT	◆	866010288X	H.P. VERN 800L PED 25BAR ORIZZ	◆
866010266X	H.P. VERN 1000L PED 25BAR VERT	◆	866010289X	H.P. VERN 1000L PED 25BAR ORIZZ	◆
866010267X	H.P. VERN 1500L PED 25BAR VERT	◆	866010290X	H.P. VERN 1500L PED 25BAR ORIZZ	◆
866010268X	H.P. VERN 2000L PED 25BAR VERT	◆	866010291X	H.P. VERN 2000L PED 25BAR ORIZZ	◆
866010269X	H.P. VERN 2000B L PED 25BAR VERT	◆	866010292X	H.P. VERN 2000B L PED 25BAR ORIZZ	◆
866010270X	H.P. VERN 2500L PED 25BAR VERT	◆	866010293X	H.P. VERN 2500L PED 25BAR ORIZZ	◆
866010271X	H.P. VERN 3000L PED 25BAR VERT	◆	866010294X	H.P. VERN 3000L PED 25BAR ORIZZ	◆
866010272X	H.P. VERN 3000B L PED 25BAR VERT	◆	866010295X	H.P. VERN 3000B L PED 25BAR ORIZZ	◆
866010273X	H.P. VERN 3500L PED 25BAR VERT	◆	866010296X	H.P. VERN 3500L PED 25BAR ORIZZ	◆
866010274X	H.P. VERN 4000L PED 25BAR VERT	◆	866010297X	H.P. VERN 4000L PED 25BAR ORIZZ	◆
866010275X	H.P. VERN 5000L PED 25BAR VERT	◆	866010298X	H.P. VERN 5000L PED 25BAR ORIZZ	◆
866010276X	H.P. VERN 5000B L PED 25BAR VERT	◆	866010299X	H.P. VERN 5000B L PED 25BAR ORIZZ	◆
866010277X	H.P. VERN 6000L PED 25BAR VERT	◆	866010300X	H.P. VERN 6000L PED 25BAR ORIZZ	◆
866010278X	H.P. VERN 6000B L PED 25BAR VERT	◆	866010301X	H.P. VERN 6000B L PED 25BAR ORIZZ	◆
866010279X	H.P. VERN 7000L PED 25BAR VERT	◆	866010302X	H.P. VERN 7000L PED 25BAR ORIZZ	◆
866010280X	H.P. VERN 8000L PED 25BAR VERT	◆	866010303X	H.P. VERN 8000L PED 25BAR ORIZZ	◆
866010281X	H.P. VERN 9000L PED 25BAR VERT	◆	866010304X	H.P. VERN 9000L PED 25BAR ORIZZ	◆
866010282X	H.P. VERN 9500L PED 25BAR VERT	◆	866010305X	H.P. VERN 9500L PED 25BAR ORIZZ	◆
866010283X	H.P. VERN 10000L PED 25BAR VERT	◆	866010306X	H.P. VERN 10000L PED 25BAR ORIZZ	◆

◆ Request quotation

Product codes of P.E.D. tested varnished high pressure tanks

PN 30 bar

Vertical			Horizontal		
Code	Description	Price	Code	Description	Price
866010307X	H.P. VERN 100L PED 30BAR VERT	◆	866010321X	H.P. VERN 100L PED 30BAR ORIZZ	◆
866010308X	H.P. VERN 200L PED 30BAR VERT	◆	866010322X	H.P. VERN 200L PED 30BAR ORIZZ	◆
866010309X	H.P. VERN 300L PED 30BAR VERT	◆	866010323X	H.P. VERN 300L PED 30BAR ORIZZ	◆
866010310X	H.P. VERN 500L PED 30BAR VERT	◆	866010324X	H.P. VERN 500L PED 30BAR ORIZZ	◆
866010311X	H.P. VERN 800L PED 30BAR VERT	◆	866010325X	H.P. VERN 800L PED 30BAR ORIZZ	◆
866010312X	H.P. VERN 1000L PED 30BAR VERT	◆	866010326X	H.P. VERN 1000L PED 30BAR ORIZZ	◆
866010313X	H.P. VERN 1500L PED 30BAR VERT	◆	866010327X	H.P. VERN 1500L PED 30BAR ORIZZ	◆
866010314X	H.P. VERN 2000L PED 30BAR VERT	◆	866010328X	H.P. VERN 2000L PED 30BAR ORIZZ	◆
866010315X	H.P. VERN 2000B L PED 30BAR VERT	◆	866010329X	H.P. VERN 2000B L PED 30BAR ORIZZ	◆
866010316X	H.P. VERN 2500L PED 30BAR VERT	◆	866010330X	H.P. VERN 2500L PED 30BAR ORIZZ	◆
866010317X	H.P. VERN 3000L PED 30BAR VERT	◆	866010331X	H.P. VERN 3000L PED 30BAR ORIZZ	◆
866010318X	H.P. VERN 4000L PED 30BAR VERT	◆	866010332X	H.P. VERN 4000L PED 30BAR ORIZZ	◆
866010319X	H.P. VERN 5000L PED 30BAR VERT	◆	866010333X	H.P. VERN 5000L PED 30BAR ORIZZ	◆
866010320X	H.P. VERN 6000L PED 30BAR VERT	◆	866010334X	H.P. VERN 6000L PED 30BAR ORIZZ	◆

PN 35 bar

Vertical			Horizontal		
Code	Description	Price	Code	Description	Price
866010335X	H.P. VERN 100L PED 35BAR VERT	◆	866010346X	H.P. VERN 100L PED 35BAR ORIZZ	◆
866010336X	H.P. VERN 200L PED 35BAR VERT	◆	866010347X	H.P. VERN 200L PED 35BAR ORIZZ	◆
866010337X	H.P. VERN 300L PED 35BAR VERT	◆	866010348X	H.P. VERN 300L PED 35BAR ORIZZ	◆
866010338X	H.P. VERN 500L PED 35BAR VERT	◆	866010349X	H.P. VERN 500L PED 35BAR ORIZZ	◆
866010339X	H.P. VERN 800L PED 35BAR VERT	◆	866010350X	H.P. VERN 800L PED 35BAR ORIZZ	◆
866010340X	H.P. VERN 1000L PED 35BAR VERT	◆	866010351X	H.P. VERN 1000L PED 35BAR ORIZZ	◆
866010341X	H.P. VERN 1500L PED 35BAR VERT	◆	866010352X	H.P. VERN 1500L PED 35BAR ORIZZ	◆
866010342X	H.P. VERN 2000L PED 35BAR VERT	◆	866010353X	H.P. VERN 2000L PED 35BAR ORIZZ	◆
866010343X	H.P. VERN 2000B L PED 35BAR VERT	◆	866010354X	H.P. VERN 2000B L PED 35BAR ORIZZ	◆
866010344X	H.P. VERN 2500L PED 35BAR VERT	◆	866010355X	H.P. VERN 2500L PED 35BAR ORIZZ	◆
866010345X	H.P. VERN 3000L PED 35BAR VERT	◆	866010356X	H.P. VERN 3000L PED 35BAR ORIZZ	◆

PN 64 bar

Vertical			Horizontal		
Code	Description	Price	Code	Description	Price
866010357X	H.P. VERN 100L PED 64BAR VERT	◆	866010363X	H.P. VERN 100L PED 64BAR ORIZZ	◆
866010358X	H.P. VERN 200L PED 64BAR VERT	◆	866010364X	H.P. VERN 200L PED 64BAR ORIZZ	◆
866010359X	H.P. VERN 300L PED 64BAR VERT	◆	866010365X	H.P. VERN 300L PED 64BAR ORIZZ	◆
866010360X	H.P. VERN 500L PED 64BAR VERT	◆	866010366X	H.P. VERN 500L PED 64BAR ORIZZ	◆
866010361X	H.P. VERN 800L PED 64BAR VERT	◆	866010367X	H.P. VERN 800L PED 64BAR ORIZZ	◆
866010362X	H.P. VERN 1000L PED 64BAR VERT	◆	866010368X	H.P. VERN 1000L PED 64BAR ORIZZ	◆

◆ Request quotation

Product codes of P.E.D. tested galvanized high pressure tanks

PN 16 bar

Vertical			Horizontal		
Code	Description	Price	Code	Description	Price
866020139X	H.P. ZN 100L PED 16BAR VERT		866020162X	H.P. ZN 100L PED 16BAR ORIZZ	
866020140X	H.P. ZN 200L PED 16BAR VERT		866020163X	H.P. ZN 200L PED 16BAR ORIZZ	
866020141X	H.P. ZN 300L PED 16BAR VERT		866020164X	H.P. ZN 300L PED 16BAR ORIZZ	
866020142X	H.P. ZN 500L PED 16BAR VERT		866020165X	H.P. ZN 500L PED 16BAR ORIZZ	
866020143X	H.P. ZN 800L PED 16BAR VERT		866020166X	H.P. ZN 800L PED 16BAR ORIZZ	
866020144X	H.P. ZN 1000L PED 16BAR VERT		866020167X	H.P. ZN 1000L PED 16BAR ORIZZ	
866020145X	H.P. ZN 1500L PED 16BAR VERT		866020168X	H.P. ZN 1500L PED 16BAR ORIZZ	
866020146X	H.P. ZN 2000L PED 16BAR VERT		866020169X	H.P. ZN 2000L PED 16BAR ORIZZ	
866020147X	H.P. ZN 2000B L PED 16BAR VERT		866020170X	H.P. ZN 2000B L PED 16BAR ORIZZ	
866020148X	H.P. ZN 2500L PED 16BAR VERT		866020171X	H.P. ZN 2500L PED 16BAR ORIZZ	
866020149X	H.P. ZN 3000L PED 16BAR VERT		866020172X	H.P. ZN 3000L PED 16BAR ORIZZ	
866020150X	H.P. ZN 3000B L PED 16BAR VERT	◆	866020173X	H.P. ZN 3000B L PED 16BAR ORIZZ	◆
866020151X	H.P. ZN 3500L PED 16BAR VERT		866020174X	H.P. ZN 3500L PED 16BAR ORIZZ	
866020152X	H.P. ZN 4000L PED 16BAR VERT		866020175X	H.P. ZN 4000L PED 16BAR ORIZZ	
866020153X	H.P. ZN 5000L PED 16BAR VERT		866020176X	H.P. ZN 5000L PED 16BAR ORIZZ	
866020154X	H.P. ZN 5000B L PED 16BAR VERT	◆	866020177X	H.P. ZN 5000B L PED 16BAR ORIZZ	◆
866020155X	H.P. ZN 6000L PED 16BAR VERT	◆	866020178X	H.P. ZN 6000L PED 16BAR ORIZZ	◆
866020156X	H.P. ZN 6000B L PED 16BAR VERT	◆	866020179X	H.P. ZN 6000B L PED 16BAR ORIZZ	◆
866020157X	H.P. ZN 7000L PED 16BAR VERT	◆	866020180X	H.P. ZN 7000L PED 16BAR ORIZZ	◆
866020158X	H.P. ZN 8000L PED 16BAR VERT	◆	866020181X	H.P. ZN 8000L PED 16BAR ORIZZ	◆
866020159X	H.P. ZN 9000L PED 16BAR VERT	◆	866020182X	H.P. ZN 9000L PED 16BAR ORIZZ	◆
866020160X	H.P. ZN 9500L PED 16BAR VERT	◆	866020183X	H.P. ZN 9500L PED 16BAR ORIZZ	◆
866020161X	H.P. ZN 10000L PED 16BAR VERT	◆	866020184X	H.P. ZN 10000L PED 16BAR ORIZZ	◆

PN 18 bar

Vertical			Horizontal		
Code	Description	Price	Code	Description	Price
866020185X	H.P. ZN 100L PED 18BAR VERT		866020200X	H.P. ZN 100L PED 18BAR ORIZZ	
866020186X	H.P. ZN 200L PED 18BAR VERT		866020201X	H.P. ZN 200L PED 18BAR ORIZZ	
866020187X	H.P. ZN 300L PED 18BAR VERT		866020202X	H.P. ZN 300L PED 18BAR ORIZZ	
866020188X	H.P. ZN 500L PED 18BAR VERT		866020203X	H.P. ZN 500L PED 18BAR ORIZZ	
866020189X	H.P. ZN 800L PED 18BAR VERT		866020204X	H.P. ZN 800L PED 18BAR ORIZZ	
866020190X	H.P. ZN 1000L PED 18BAR VERT		866020205X	H.P. ZN 1000L PED 18BAR ORIZZ	
866020191X	H.P. ZN 1500L PED 18BAR VERT		866020206X	H.P. ZN 1500L PED 18BAR ORIZZ	
866020192X	H.P. ZN 2000L PED 18BAR VERT		866020207X	H.P. ZN 2000L PED 18BAR ORIZZ	
866020193X	H.P. ZN 2000B L PED 18BAR VERT		866020208X	H.P. ZN 2000B L PED 18BAR ORIZZ	
866020194X	H.P. ZN 2500L PED 18BAR VERT		866020209X	H.P. ZN 2500L PED 18BAR ORIZZ	
866020195X	H.P. ZN 3000L PED 18BAR VERT		866020210X	H.P. ZN 3000L PED 18BAR ORIZZ	
866020196X	H.P. ZN 3000B L PED 18BAR VERT		866020211X	H.P. ZN 3000B L PED 18BAR ORIZZ	
866020197X	H.P. ZN 3500L PED 18BAR VERT	◆	866020212X	H.P. ZN 3500L PED 18BAR ORIZZ	◆
866020198X	H.P. ZN 4000L PED 18BAR VERT	◆	866020213X	H.P. ZN 4000L PED 18BAR ORIZZ	◆
866020199X	H.P. ZN 5000L PED 18BAR VERT	◆	866020214X	H.P. ZN 5000L PED 18BAR ORIZZ	◆

◆ Request quotation

Product codes of P.E.D. tested galvanized high pressure tanks

PN 20 bar

Vertical			Horizontal		
Code	Description	Price	Code	Description	Price
866020215X	H.P. ZN 100L PED 20BAR VERT	◆	866020238X	H.P. ZN 100L PED 20BAR ORIZZ	◆
866020216X	H.P. ZN 200L PED 20BAR VERT	◆	866020239X	H.P. ZN 200L PED 20BAR ORIZZ	◆
866020217X	H.P. ZN 300L PED 20BAR VERT	◆	866020240X	H.P. ZN 300L PED 20BAR ORIZZ	◆
866020218X	H.P. ZN 500L PED 20BAR VERT	◆	866020241X	H.P. ZN 500L PED 20BAR ORIZZ	◆
866020219X	H.P. ZN 800L PED 20BAR VERT	◆	866020242X	H.P. ZN 800L PED 20BAR ORIZZ	◆
866020220X	H.P. ZN 1000L PED 20BAR VERT	◆	866020243X	H.P. ZN 1000L PED 20BAR ORIZZ	◆
866020221X	H.P. ZN 1500L PED 20BAR VERT	◆	866020244X	H.P. ZN 1500L PED 20BAR ORIZZ	◆
866020222X	H.P. ZN 2000L PED 20BAR VERT	◆	866020245X	H.P. ZN 2000L PED 20BAR ORIZZ	◆
866020223X	H.P. ZN 2000B L PED 20BAR VERT	◆	866020246X	H.P. ZN 2000B L PED 20BAR ORIZZ	◆
866020224X	H.P. ZN 2500L PED 20BAR VERT	◆	866020247X	H.P. ZN 2500L PED 20BAR ORIZZ	◆
866020225X	H.P. ZN 3000L PED 20BAR VERT	◆	866020248X	H.P. ZN 3000L PED 20BAR ORIZZ	◆
866020226X	H.P. ZN 3000B L PED 20BAR VERT	◆	866020249X	H.P. ZN 3000B L PED 20BAR ORIZZ	◆
866020227X	H.P. ZN 3500L PED 20BAR VERT	◆	866020250X	H.P. ZN 3500L PED 20BAR ORIZZ	◆
866020228X	H.P. ZN 4000L PED 20BAR VERT	◆	866020251X	H.P. ZN 4000L PED 20BAR ORIZZ	◆
866020229X	H.P. ZN 5000L PED 20BAR VERT	◆	866020252X	H.P. ZN 5000L PED 20BAR ORIZZ	◆
866020230X	H.P. ZN 5000B L PED 20BAR VERT	◆	866020253X	H.P. ZN 5000B L PED 20BAR ORIZZ	◆
866020231X	H.P. ZN 6000L PED 20BAR VERT	◆	866020254X	H.P. ZN 6000L PED 20BAR ORIZZ	◆
866020232X	H.P. ZN 6000B L PED 20BAR VERT	◆	866020255X	H.P. ZN 6000B L PED 20BAR ORIZZ	◆
866020233X	H.P. ZN 7000L PED 20BAR VERT	◆	866020256X	H.P. ZN 7000L PED 20BAR ORIZZ	◆
866020234X	H.P. ZN 8000L PED 20BAR VERT	◆	866020257X	H.P. ZN 8000L PED 20BAR ORIZZ	◆
866020235X	H.P. ZN 9000L PED 20BAR VERT	◆	866020258X	H.P. ZN 9000L PED 20BAR ORIZZ	◆
866020236X	H.P. ZN 9500L PED 20BAR VERT	◆	866020259X	H.P. ZN 9500L PED 20BAR ORIZZ	◆
866020237X	H.P. ZN 10000L PED 20BAR VERT	◆	866020260X	H.P. ZN 10000L PED 20BAR ORIZZ	◆

PN 25 bar

Vertical			Horizontal		
Code	Description	Price	Code	Description	Price
866020261X	H.P. ZN 100L PED 25BAR VERT		866020284X	H.P. ZN 100L PED 25BAR ORIZZ	
866020262X	H.P. ZN 200L PED 25BAR VERT		866020285X	H.P. ZN 200L PED 25BAR ORIZZ	
866020263X	H.P. ZN 300L PED 25BAR VERT		866020286X	H.P. ZN 300L PED 25BAR ORIZZ	
866020264X	H.P. ZN 500L PED 25BAR VERT		866020287X	H.P. ZN 500L PED 25BAR ORIZZ	
866020265X	H.P. ZN 800L PED 25BAR VERT		866020288X	H.P. ZN 800L PED 25BAR ORIZZ	
866020266X	H.P. ZN 1000L PED 25BAR VERT		866020289X	H.P. ZN 1000L PED 25BAR ORIZZ	
866020267X	H.P. ZN 1500L PED 25BAR VERT		866020290X	H.P. ZN 1500L PED 25BAR ORIZZ	
866020268X	H.P. ZN 2000L PED 25BAR VERT		866020291X	H.P. ZN 2000L PED 25BAR ORIZZ	
866020269X	H.P. ZN 2000B L PED 25BAR VERT		866020292X	H.P. ZN 2000B L PED 25BAR ORIZZ	
866020270X	H.P. ZN 2500L PED 25BAR VERT		866020293X	H.P. ZN 2500L PED 25BAR ORIZZ	
866020271X	H.P. ZN 3000L PED 25BAR VERT		866020294X	H.P. ZN 3000L PED 25BAR ORIZZ	
866020272X	H.P. ZN 3000B L PED 25BAR VERT	◆	866020295X	H.P. ZN 3000B L PED 25BAR ORIZZ	◆
866020273X	H.P. ZN 3500L PED 25BAR VERT	◆	866020296X	H.P. ZN 3500L PED 25BAR ORIZZ	◆
866020274X	H.P. ZN 4000L PED 25BAR VERT	◆	866020297X	H.P. ZN 4000L PED 25BAR ORIZZ	◆
866020275X	H.P. ZN 5000L PED 25BAR VERT	◆	866020298X	H.P. ZN 5000L PED 25BAR ORIZZ	◆
866020276X	H.P. ZN 5000B L PED 25BAR VERT	◆	866020299X	H.P. ZN 5000B L PED 25BAR ORIZZ	◆
866020277X	H.P. ZN 6000L PED 25BAR VERT	◆	866020300X	H.P. ZN 6000L PED 25BAR ORIZZ	◆
866020278X	H.P. ZN 6000B L PED 25BAR VERT	◆	866020301X	H.P. ZN 6000B L PED 25BAR ORIZZ	◆
866020279X	H.P. ZN 7000L PED 25BAR VERT	◆	866020302X	H.P. ZN 7000L PED 25BAR ORIZZ	◆
866020280X	H.P. ZN 8000L PED 25BAR VERT	◆	866020303X	H.P. ZN 8000L PED 25BAR ORIZZ	◆
866020281X	H.P. ZN 9000L PED 25BAR VERT	◆	866020304X	H.P. ZN 9000L PED 25BAR ORIZZ	◆
866020282X	H.P. ZN 9500L PED 25BAR VERT	◆	866020305X	H.P. ZN 9500L PED 25BAR ORIZZ	◆
866020283X	H.P. ZN 10000L PED 25BAR VERT	◆	866020306X	H.P. ZN 10000L PED 25BAR ORIZZ	◆

◆ Request quotation

Product codes of P.E.D. tested galvanized high pressure tanks

PN 30 bar

Vertical			Horizontal		
Code	Description	Price	Code	Description	Price
866020307X	H.P. ZN 100L PED 30BAR VERT	◆	866020321X	H.P. ZN 100L PED 30BAR ORIZZ	◆
866020308X	H.P. ZN 200L PED 30BAR VERT	◆	866020322X	H.P. ZN 200L PED 30BAR ORIZZ	◆
866020309X	H.P. ZN 300L PED 30BAR VERT	◆	866020323X	H.P. ZN 300L PED 30BAR ORIZZ	◆
866020310X	H.P. ZN 500L PED 30BAR VERT	◆	866020324X	H.P. ZN 500L PED 30BAR ORIZZ	◆
866020311X	H.P. ZN 800L PED 30BAR VERT		866020325X	H.P. ZN 800L PED 30BAR ORIZZ	
866020312X	H.P. ZN 1000L PED 30BAR VERT		866020326X	H.P. ZN 1000L PED 30BAR ORIZZ	
866020313X	H.P. ZN 1500L PED 30BAR VERT		866020327X	H.P. ZN 1500L PED 30BAR ORIZZ	
866020314X	H.P. ZN 2000L PED 30BAR VERT		866020328X	H.P. ZN 2000L PED 30BAR ORIZZ	
866020315X	H.P. ZN 2000B L PED 30BAR VERT	◆	866020329X	H.P. ZN 2000B L PED 30BAR ORIZZ	◆
866020316X	H.P. ZN 2500L PED 30BAR VERT	◆	866020330X	H.P. ZN 2500L PED 30BAR ORIZZ	◆
866020317X	H.P. ZN 3000L PED 30BAR VERT		866020331X	H.P. ZN 3000L PED 30BAR ORIZZ	
866020318X	H.P. ZN 4000L PED 30BAR VERT	◆	866020332X	H.P. ZN 4000L PED 30BAR ORIZZ	◆
866020319X	H.P. ZN 5000L PED 30BAR VERT	◆	866020333X	H.P. ZN 5000L PED 30BAR ORIZZ	◆
866020320X	H.P. ZN 6000L PED 30BAR VERT	◆	866020334X	H.P. ZN 6000L PED 30BAR ORIZZ	◆

PN 35 bar

Vertical			Horizontal		
Code	Description	Price	Code	Description	Price
866020335X	H.P. ZN 100L PED 35BAR VERT		866020346X	H.P. ZN 100L PED 35BAR ORIZZ	
866020336X	H.P. ZN 200L PED 35BAR VERT		866020347X	H.P. ZN 200L PED 35BAR ORIZZ	
866020337X	H.P. ZN 300L PED 35BAR VERT		866020348X	H.P. ZN 300L PED 35BAR ORIZZ	
866020338X	H.P. ZN 500L PED 35BAR VERT		866020349X	H.P. ZN 500L PED 35BAR ORIZZ	
866020339X	H.P. ZN 800L PED 35BAR VERT		866020350X	H.P. ZN 800L PED 35BAR ORIZZ	
866020340X	H.P. ZN 1000L PED 35BAR VERT		866020351X	H.P. ZN 1000L PED 35BAR ORIZZ	
866020341X	H.P. ZN 1500L PED 35BAR VERT		866020352X	H.P. ZN 1500L PED 35BAR ORIZZ	
866020342X	H.P. ZN 2000L PED 35BAR VERT	◆	866020353X	H.P. ZN 2000L PED 35BAR ORIZZ	◆
866020343X	H.P. ZN 2000B L PED 35BAR VERT	◆	866020354X	H.P. ZN 2000B L PED 35BAR ORIZZ	◆
866020344X	H.P. ZN 2500L PED 35BAR VERT	◆	866020355X	H.P. ZN 2500L PED 35BAR ORIZZ	◆
866020345X	H.P. ZN 3000L PED 35BAR VERT	◆	866020356X	H.P. ZN 3000L PED 35BAR ORIZZ	◆

PN 64 bar

Vertical			Horizontal		
Code	Description	Price	Code	Description	Price
866020357X	H.P. ZN 100L PED 64BAR VERT		866020363X	H.P. ZN 100L PED 64BAR ORIZZ	
866020358X	H.P. ZN 200L PED 64BAR VERT		866020364X	H.P. ZN 200L PED 64BAR ORIZZ	
866020359X	H.P. ZN 300L PED 64BAR VERT		866020365X	H.P. ZN 300L PED 64BAR ORIZZ	
866020360X	H.P. ZN 500L PED 64BAR VERT	◆	866020366X	H.P. ZN 500L PED 64BAR ORIZZ	◆
866020361X	H.P. ZN 800L PED 64BAR VERT	◆	866020367X	H.P. ZN 800L PED 64BAR ORIZZ	◆
866020362X	H.P. ZN 1000L PED 64BAR VERT	◆	866020368X	H.P. ZN 1000L PED 64BAR ORIZZ	◆

◆ Request quotation