

# P.E.D. tested steam accumulator tanks 12 bar 200°C – AV series

The AV steam accumulators are generally installed to support industrial steam generators (fast and with a forced circulation). The accumulator is the lung in applications in which the steam content of the heaters is low and not sufficient to manage the numerous transitions generated by the start-up and shut-down cycles of the heater.

The models, with CE label, are available in capacities from 300 up to 20.000 litres in the vertical and horizontal versions with a max pressure of 12 bar and a max operating temperature of 200°C.

## ✓ Special versions

The AV expansion vessels can be modified on demand in order to meet your specific requirements.

✓ **Material:** carbon steel

✓ **Protective treatment:** hot dip galvanizing and external coating

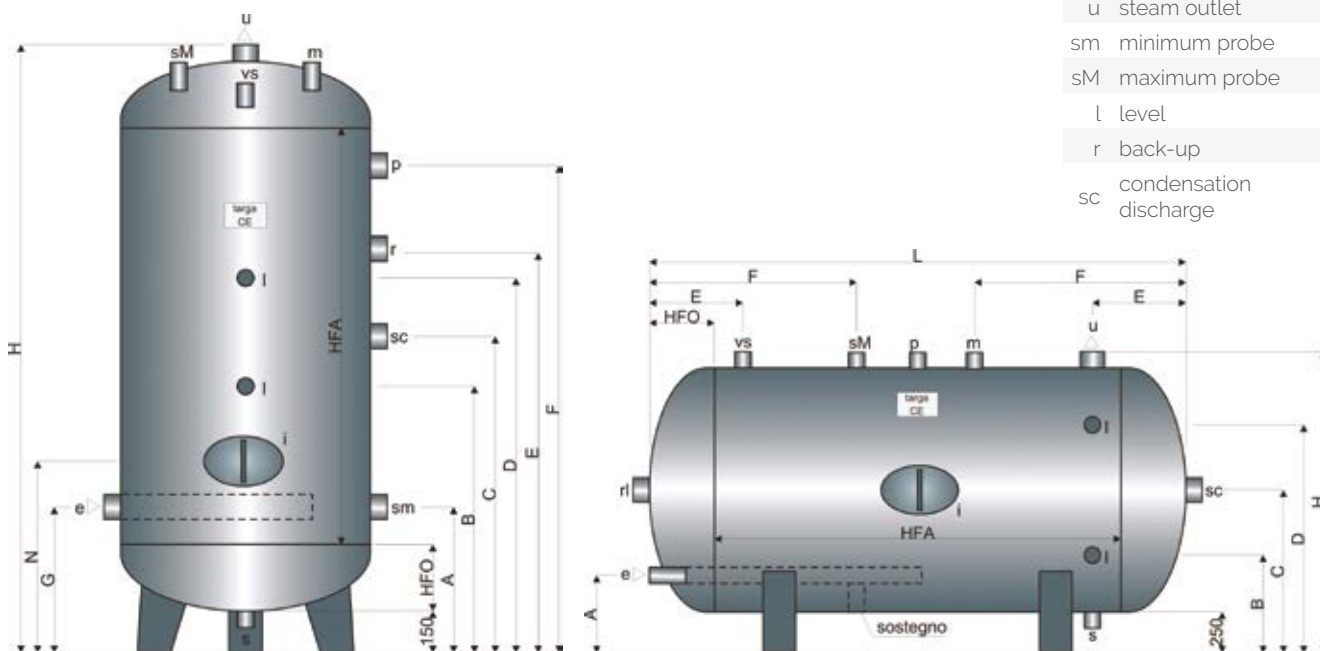
✓ **Covering:** on demand rock wool insulation with variable thickness and an external bush-hammered aluminium cover

## ✓ Operative conditions

The storage tanks have a max operating temperature from 10°C to the max temperatures, which vary in the versions

## Coupling

s	discharge
vs	safety valve
m	manometer
p	pressostat
rl	level regulator
i	inspection
e	steam inlet
u	steam outlet
sm	minimum probe
sM	maximum probe
l	level
r	back-up
sc	condensation discharge



# P.E.D. tested steam accumulator tanks 12 bar 200°C – AV series

## Vertical

capacity l	Ø mm	HFO mm	HFA mm	A mm	B mm	C mm	D mm	E mm	F mm	G mm	N mm	H mm	weight kg	e/u pn16	l pn16	sc sm/r inch	vs pn16	s inch	m/p sM inch	i mm
300	550	175	1000	445	695	825	955	1005	1205	445	475	1600	95	Dn40	Dn20	1	Dn25	1 1/4	1/2	100x150
500	650	200	1250	470	805	975	1145	1280	1480	470	500	1900	135	Dn40	Dn20	1	Dn25	1 1/4	1/2	100x150
1000	800	240	1700	590	1070	1240	1410	1690	1890	540	640	2430	270	Dn50	Dn20	1	Dn25	1 1/4	1/2	220x320
1500	950	280	1750	630	1135	1305	1475	1780	1980	580	680	2560	395	Dn65	Dn20	1	Dn40	1 1/4	1/2	220x320
2000	1100	320	1750	720	1175	1345	1515	1770	1970	620	720	2640	545	Dn65	Dn20	1	Dn40	1 1/4	1/2	220x320
3000	1250	360	2000	760	1340	1510	1680	2060	2260	670	760	2970	795	Dn65	Dn20	1	Dn50	1 1/4	1/2	220x320
4000	1400	410	2000	810	1390	1560	1730	2110	2310	800	810	3070	1132	Dn100	Dn20	1	Dn50	1 1/4	1/2	220x320
5000	1450	420	2500	820	1650	1820	1990	2620	2820	810	820	3590	1369	Dn150	Dn20	1	Dn50	1 1/4	1/2	220x320
6000	1450	420	3000	820	1900	2070	2240	3120	3320	810	820	4090	1590	Dn150	Dn20	1	Dn50	1 1/4	1/2	220x320
8000	1650	480	3000	880	1960	2130	2300	3180	3380	880	880	4210	1856	Dn150	Dn20	1	Dn65	1 1/4	1/2	220x320
9000	1650	480	3800	880	2360	2530	2700	3980	4180	880	880	5010	2190	Dn150	Dn20	1	Dn65	1 1/4	1/2	220x320
10000	1650	480	4000	880	2460	2630	2800	4180	4380	880	880	5210	2275	Dn150	Dn20	1	Dn65	1 1/4	1/2	220x320
15000	2000	570	4000	970	2515	2720	2925	4270	4470	990	1020	5390	2910	Dn150	Dn20	1	Dn65	1 1/4	1/2	300x400
20000	2000	570	5500	970	3265	3470	3675	5770	5970	990	1020	6890	3670	Dn150	Dn20	1	Dn65	1 1/4	1/2	300x400

## Horizontal

capacità l	Ø mm	HFO mm	HFA mm	A mm	B mm	C mm	D mm	E mm	F mm	H mm	L mm	weight kg	e/u pn16	l pn16	sc/rl pollici	vs pn16	s pn16	m/p sM pollici	i mm
300	550	175	1000	380	395	525	655	295	475	900	1350	95	Dn40	Dn20	1	Dn25	Dn25	1/2	100x150
500	650	200	1250	395	445	575	705	320	625	1000	1650	135	Dn40	Dn20	1	Dn25	Dn25	1/2	100x150
1000	800	240	1700	440	480	650	820	440	890	1150	2180	270	Dn50	Dn20	1	Dn25	Dn25	1/2	220x320
1500	950	280	1750	495	555	725	895	480	955	1300	2310	395	Dn65	Dn20	1	Dn40	Dn25	1/2	220x320
2000	1100	320	1750	510	630	800	970	570	995	1450	2390	545	Dn65	Dn20	1	Dn40	Dn25	1/2	220x320
3000	1250	360	2000	525	705	875	1045	610	1080	1600	2720	795	Dn65	Dn20	1	Dn50	Dn25	1/2	220x320
4000	1400	410	2000	560	780	950	1120	660	1130	1750	2820	1132	Dn100	Dn20	1	Dn50	Dn25	1/2	220x320
5000	1450	420	2500	585	805	975	1145	670	1370	1800	3340	1369	Dn100	Dn20	1	Dn50	Dn25	1/2	220x320
6000	1450	420	3000	585	805	975	1145	670	1620	1800	3840	1590	Dn150	Dn20	1	Dn50	Dn25	1/2	220x320
8000	1650	480	3000	575	905	1075	1245	730	1670	2000	3960	1856	Dn150	Dn20	1	Dn65	Dn32	1/2	220x320
9000	1650	480	3800	575	905	1075	1245	730	1900	2000	4760	2190	Dn150	Dn20	1	Dn65	Dn32	1/2	220x320
10000	1650	480	4000	575	905	1075	1245	730	2000	2000	4960	2275	Dn150	Dn20	1	Dn65	Dn32	1/2	220x320
15000	2000	570	4000	700	1045	1250	1455	820	2090	2350	5140	2910	Dn150	Dn20	1	Dn65	Dn32	1/2	300x400
20000	2000	570	5500	700	1045	1250	1455	820	2840	2350	6640	3670	Dn150	Dn20	1	Dn65	Dn32	1/2	300x400

On demand: execution with customized dimensions

# P.E.D. tested steam accumulator tanks 12 bar 200°C – AV series

## PN 12 bar

Vertical			Horizontal		
Code	Description	Price	Code	Description	Price
869010001X	VERN 300L PED 12BAR 200°C VERT		869010016X	VERN 300L PED 12BAR 200°C ORIZZ	
869010002X	VERN 500L PED 12BAR 200°C VERT		869010017X	VERN 500L PED 12BAR 200°C ORIZZ	
869010003X	VERN 1000L PED 12BAR 200°C VERT		869010018X	VERN 1000L PED 12BAR 200°C ORIZZ	
869010004X	VERN 1500L PED 12BAR 200°C VERT		869010019X	VERN 1500L PED 12BAR 200°C ORIZZ	
869010005X	VERN 2000L PED 12BAR 200°C VERT		869010020X	VERN 2000L PED 12BAR 200°C ORIZZ	
869010006X	VERN 3000L PED 12BAR 200°C VERT		869010021X	VERN 3000L PED 12BAR 200°C ORIZZ	
869010007X	VERN 4000L PED 12BAR 200°C VERT		869010022X	VERN 4000L PED 12BAR 200°C ORIZZ	
869010008X	VERN 5000L PED 12BAR 200°C VERT		869010023X	VERN 5000L PED 12BAR 200°C ORIZZ	
869010009X	VERN 5000B L PED 12BAR 200°C VERT		869010024X	VERN 5000B L PED 12BAR 200°C ORIZZ	
869010010X	VERN 6000L PED 12BAR 200°C VERT		869010025X	VERN 6000L PED 12BAR 200°C ORIZZ	
869010011X	VERN 8000L PED 12BAR 200°C VERT	◆	869010026X	VERN 8000L PED 12BAR 200°C ORIZZ	◆
869010012X	VERN 9000L PED 12BAR 200°C VERT	◆	869010027X	VERN 9000L PED 12BAR 200°C ORIZZ	◆
869010013X	VERN 10000L PED 12BAR 200°C VERT	◆	869010028X	VERN 10000L PED 12BAR 200°C ORIZZ	◆
869010014X	VERN 15000L PED 12BAR 200°C VERT	◆	869010029X	VERN 15000L PED 12BAR 200°C ORIZZ	◆
869010015X	VERN 20000L PED 12BAR 200°C VERT	◆	869010030X	VERN 20000L PED 12BAR 200°C ORIZZ	◆

◆ Request quotations