

P.E.D. tested expansion vessel for pressurized heat transfer oil – VO series

The VO series are installed in industrial heaters with heat transfer oil in a closed circuit in order to compensate for the thermal expansion of the heat transfer fluid. The models, with CE label, are available in capacities from 300 up to 15.000 litres in the horizontal, vertical and 6 bar version. It operates with a maximum operating temperature of 350°C.

✓ Special versions

The VE expansion vessels can be modified on demand in order to meet your specific requirements.

✓ **Material:** carbon steel

✓ **Protective treatment:** hot dip galvanizing and external coating

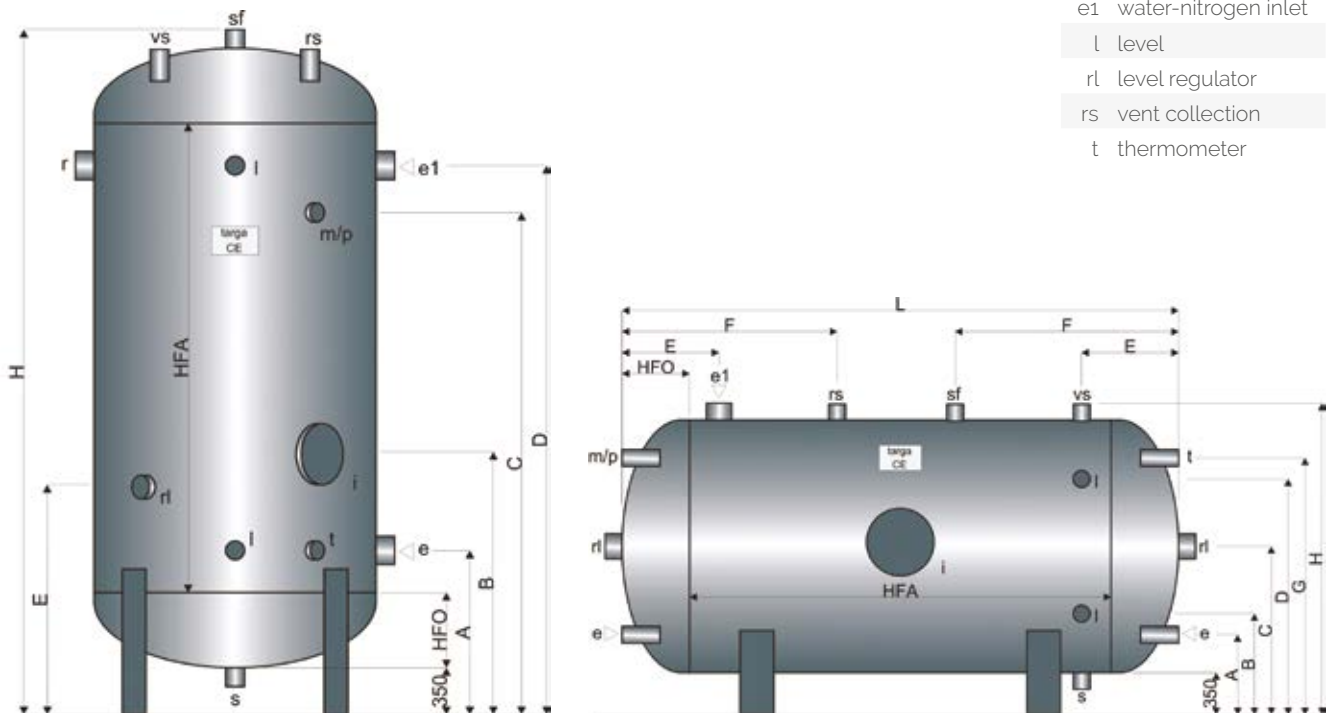
✓ **Covering:** on demand rock wool insulation with variable thickness and an external bush-hammered aluminium cover

✓ Operative conditions

The storage tanks have a max operating temperature from 10°C to the max temperatures, which vary in the versions

Couplings

s	discharge
vs	safety valve
m	manometer
p	pressostat
i	inspection
sf	vent
e	oil inlet
r	back-up
e1	water-nitrogen inlet
l	level
rl	level regulator
rs	vent collection
t	thermometer



P.E.D. tested expansion vessel for pressurized heat transfer oil – VO series

Vertical

capacity l	Ø mm	HFO mm	HFA mm	A mm	B mm	C mm	D mm	E mm	H mm	weight kg	e pn16	e1/l sf/rs pn16	rl pn16	vs pn16	s inch	m/p/t inch	r pn16	i pn16
300	500	165	1250	605	915	1615	1675	765	2030	81	Dn32	Dn20	Dn100	Dn25	1 1/2	1/2	Dn15	Dn100
500	650	200	1250	640	1150	1550	1710	800	2100	120	Dn32	Dn20	Dn100	Dn25	1 1/2	1/2	Dn15	Dn150
800	800	240	1250	700	1190	1590	1730	840	2180	192	Dn50	Dn20	Dn100	Dn25	1 1/2	1/2	Dn15	Dn150
1000	800	240	1700	700	1190	2040	2180	840	2630	230	Dn50	Dn20	Dn100	Dn32	1 1/2	1/2	Dn15	Dn150
1500	950	280	1750	750	1230	2130	2260	880	2760	332	Dn50	Dn20	Dn100	Dn32	1 1/2	1/2	Dn15	Dn150
2000	1100	310	1750	780	1260	2160	2290	910	2820	412	Dn50	Dn20	Dn100	Dn32	1 1/2	1/2	Dn15	Dn150
2500	1250	350	1800	840	1300	2250	2360	950	2950	594	Dn50	Dn20	Dn100	Dn32	1 1/2	1/2	Dn15	Dn150
3000	1250	350	2000	840	1300	2450	2560	950	3150	632	Dn50	Dn20	Dn100	Dn32	1 1/2	1/2	Dn15	Dn150
4000	1400	390	2000	890	1340	2490	2590	990	3230	837	Dn65	Dn20	Dn100	Dn32	1 1/2	1/2	Dn15	Dn150
5000	1450	410	2500	910	1360	3010	3110	1010	3770	1005	Dn65	Dn20	Dn100	Dn40	1 1/2	1/2	Dn15	Dn150
6000	1450	410	3000	920	1360	3510	3600	1010	4270	1171	Dn65	Dn20	Dn100	Dn40	1 1/2	1/2	Dn15	Dn150
8000	1650	460	3000	970	1410	3560	3650	1060	4370	1594	Dn80	Dn20	Dn100	Dn50	1 1/2	1/2	Dn15	Dn150
9000	1650	460	3800	970	1410	4360	4450	1060	5170	1861	Dn80	Dn20	Dn100	Dn50	1 1/2	1/2	Dn15	Dn150
10000	1650	460	4000	970	1410	4560	4650	1060	5370	1930	Dn80	Dn20	Dn100	Dn50	1 1/2	1/2	Dn15	Dn150
15000	1650	460	6000	1040	1410	6560	6580	1060	7370	2594	Dn100	Dn20	Dn100	Dn80	1 1/2	1/2	Dn15	Dn150

Horizontal

capacity l	Ø mm	HFO mm	HFA mm	A mm	B mm	C mm	D mm	E mm	F mm	H mm	L mm	weight kg	e pn16	e1/l sf/rs pn16	rl pn16	vs pn16	s inch	m/p/t inch	i pn16
300	500	165	1250	430	490	600	710	255	690	950	1580	81	Dn32	Dn20	Dn100	Dn25	1 1/2	1/2	Dn 100
500	650	200	1250	450	545	675	805	290	725	1100	1650	120	Dn32	Dn20	Dn100	Dn25	1 1/2	1/2	Dn 150
800	800	240	1250	480	580	750	920	350	765	1250	1730	192	Dn50	Dn20	Dn100	Dn25	1 1/2	1/2	Dn 150
1000	800	240	1700	480	580	750	920	350	990	1250	2180	230	Dn50	Dn20	Dn100	Dn32	1 1/2	1/2	Dn 150
1500	950	280	1750	500	620	825	1030	400	1035	1400	2310	332	Dn50	Dn20	Dn100	Dn32	1 1/2	1/2	Dn 150
2000	1100	310	1750	515	650	900	1150	430	1065	1550	2370	412	Dn50	Dn20	Dn100	Dn32	1 1/2	1/2	Dn 150
2500	1250	350	1800	590	725	975	1225	490	1130	1700	2500	594	Dn50	Dn20	Dn100	Dn32	1 1/2	1/2	Dn 150
3000	1250	350	2000	538	675	975	1275	490	1220	1700	2700	632	Dn50	Dn20	Dn100	Dn32	1 1/2	1/2	Dn 150
4000	1400	390	2000	613	750	1050	1350	540	1260	1850	2780	837	Dn65	Dn20	Dn100	Dn32	1 1/2	1/2	Dn 150
5000	1650	460	1700	605	675	1175	1675	610	1160	2100	2620	1125	Dn65	Dn20	Dn100	Dn40	1 1/2	1/2	Dn 150
6000	1450	410	3000	575	475	1075	1675	570	1760	1900	3820	1171	Dn65	Dn20	Dn100	Dn40	1 1/2	1/2	Dn 150
8000	1650	460	3000	605	675	1175	1675	620	1810	2100	3920	1594	Dn80	Dn20	Dn100	Dn50	1 1/2	1/2	Dn 150
9000	1650	460	3800	605	675	1175	1775	620	2210	2100	4720	1861	Dn80	Dn20	Dn100	Dn50	1 1/2	1/2	Dn 150
10000	1650	460	4000	605	675	1175	1775	620	2310	2100	4920	1930	Dn80	Dn20	Dn100	Dn50	1 1/2	1/2	Dn 150
15000	1650	460	6000	605	675	1175	1775	620	3310	2100	6920	2594	Dn100	Dn20	Dn100	Dn80	1 1/2	1/2	Dn 150

Possibility: execution with customized dimensions

Product codes P.E.D. tested expansion vessel for pressurized heat transfer oil 6 bar 350°C

PN 6 bar

Vertical			Horizontal		
Code	Description	Price	Code	Description	Price
868010001X	VERN 300L PED 6BAR 350°C VERT		868010017X	VERN 300L PED 6BAR 350°C ORIZZ	
868010002X	VERN 500L PED 6BAR 350°C VERT		868010018X	VERN 500L PED 6BAR 350°C ORIZZ	
868010003X	VERN 800L PED 6BAR 350°C VERT	◆	868010019X	VERN 800L PED 6BAR 350°C ORIZZ	◆
868010004X	VERN 1000L PED 6BAR 350°C VERT		868010020X	VERN 1000L PED 6BAR 350°C ORIZZ	
868010005X	VERN 1500L PED 6BAR 350°C VERT		868010021X	VERN 1500L PED 6BAR 350°C ORIZZ	
868010006X	VERN 2000L PED 6BAR 350°C VERT		868010022X	VERN 2000L PED 6BAR 350°C ORIZZ	
868010007X	VERN 2500L PED 6BAR 350°C VERT	◆	868010023X	VERN 2500L PED 6BAR 350°C ORIZZ	◆
868010008X	VERN 3000L PED 6BAR 350°C VERT		868010024X	VERN 3000L PED 6BAR 350°C ORIZZ	
868010009X	VERN 4000L PED 6BAR 350°C VERT		868010025X	VERN 4000L PED 6BAR 350°C ORIZZ	
868010010X	VERN 5000L PED 6BAR 350°C VERT		868010026X	VERN 5000L PED 6BAR 350°C ORIZZ	
868010011X	VERN 5000B L PED 6BAR 350°C VERT		868010027X	VERN 5000B L PED 6BAR 350°C ORIZZ	
868010012X	VERN 6000L PED 6BAR 350°C VERT		868010028X	VERN 6000L PED 6BAR 350°C ORIZZ	
868010013X	VERN 8000L PED 6BAR 350°C VERT	◆	868010029X	VERN 8000L PED 6BAR 350°C ORIZZ	◆
868010014X	VERN 9000L PED 6BAR 350°C VERT	◆	868010030X	VERN 9000L PED 6BAR 350°C ORIZZ	◆
868010015X	VERN 10000L PED 6BAR 350°C VERT	◆	868010031X	VERN 10000L PED 6BAR 350°C ORIZZ	◆
868010016X	VERN 15000L PED 6BAR 350°C VERT	◆	868010032X	VERN 15000L PED 6BAR 350°C ORIZZ	◆

◆ Request quotation