

P.E.D. tested expansion vessel for pressurized water, 6, 8, 12 bar – VE series

The VE expansion vessels are generally used in industrial installations in order to compensate for the volume variation of the heat transfer fluid caused by temperature variations. They have no membrane, which brings the heat transfer fluid in direct contact with the air cushion in the tank. Because of the absence of the membrane, you do not have to think about replacing it. The models, with the CE label, are available in capacities from 300 to 20.000 litres in the horizontal, vertical, 6 bar, 8 bar and 12 bar versions.

✓ Special versions

The VE expansion vessels can be modified on demand in order to meet your specific requirements.

✓ **Material:** carbon steel

✓ **Protective treatment:** hot dip galvanizing and external coating

✓ **Covering:** rock wool insulation with variable thickness and an external bush-hammered aluminium cover

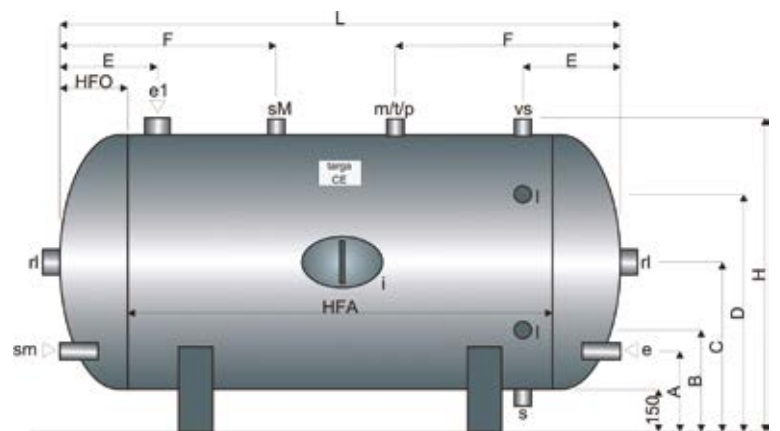
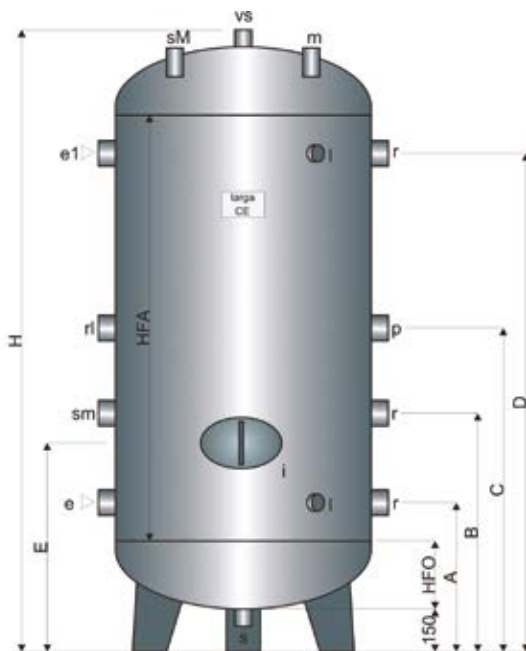
✓ **Operative conditions**

The storage tanks have a max operating temperature from 10°C to the max temperatures, which vary in the versions

max pressure	max temperature
6 bar	165°C
8 bar	175°C
12 bar	200°C

Couplings

s	discharge
vs	safety valve
m	manometer
p	pressostat
rl	level regulator
i	inspection
e	superheated water inlet
e1	air inlet
sm	minimum probe
sM	maximum probe
l	level
r	back-up



P.E.D. tested expansion vessel for pressurized water, 6, 8, 12 bar – VE series

Vertical

capacity l	Ø mm	HFO mm	HFA mm	A mm	B mm	C mm	D mm	E mm	H mm	weight kg	e inch	e1/sm/s inch	l pn16	rl/p/r inch	vs inch	m/sM inch	i mm
300	550	175	1000	425	625	825	1225	475	1600	89	1 1/4	1 1/4	dn20	1	1 1/4	1/2	*
500	650	200	1250	450	650	975	1500	500	1900	126	1 1/2	1 1/4	dn20	1	1 1/2	1/2	*
1000	800	240	1750	500	700	1265	2030	540	2480	207	2	1 1/4	dn20	1	2	1/2	*
1500	950	280	1750	540	740	1305	2070	580	2560	280	2 1/2	1 1/4	dn20	1	2 1/2	1/2	100x150
2000	1100	310	1750	580	780	1335	2090	610	2620	401	2 1/2	1 1/4	dn20	1	2 1/2	1/2	100x150
3000	1250	350	2000	690	890	1500	2310	650	2950	530	3	1 1/4	dn20	1	3	1/2	100x150
4000	1400	390	2000	750	950	1540	2330	790	3030	731	3	1 1/4	dn20	1	3	1/2	220x320
5000	1450	410	2500	770	970	1810	2850	810	3570	876	3	1 1/4	dn20	1	3	1/2	220x320
6000	1450	410	3000	770	970	2060	3350	810	4070	1023	3	1 1/4	dn20	1	3	1/2	220x320
8000	1650	460	3000	840	1040	2110	3380	910	4170	1390	4	1 1/4	dn20	1	4	1/2	300x400
9000	1650	460	3800	840	1040	2510	4180	910	4970	1625	4	1 1/4	dn20	1	4	1/2	300x400
10000	1650	460	4000	840	1040	2610	4380	910	5170	1683	4	1 1/4	dn20	1	4	1/2	300x400
15000	2000	560	4000	950	1150	2710	4470	1010	5370	2496	4	1 1/4	dn20	1	4	1/2	300x400
20000	2000	560	5500	950	1150	3460	5970	1010	6870	3104	4	1 1/4	dn20	1	4	1/2	300x400

Horizontal

capacity l	Ø mm	HFO mm	HFA mm	A mm	B mm	C mm	D mm	E mm	F mm	H mm	L mm	weight kg	e/vs inch	e1/s inch	l pn16	rl inch	m/sM inch	i mm
300	550	175	1000	280	295	425	555	275	575	800	1350	89	1 1/4	1 1/4	dn20	1	1/2	*
500	650	200	1250	295	345	475	605	300	725	900	1650	126	1 1/2	1 1/4	dn20	1	1/2	*
1000	800	240	1750	340	380	550	720	350	1015	1050	2230	207	2	1 1/4	dn20	1	1/2	*
1500	950	280	1750	395	420	625	830	390	1055	1200	2310	280	2 1/2	1 1/4	dn20	1	1/2	100x150
2000	1100	310	1750	410	450	700	950	430	1065	1350	2370	401	2 1/2	1 1/4	dn20	1	1/2	100x150
3000	1250	350	2000	425	525	775	1025	540	1230	1500	2700	530	3	1 1/4	dn20	1	1/2	100x150
4000	1400	390	2000	460	600	850	1100	600	1270	1650	2780	731	3	1 1/4	dn20	1	1/2	220x320
5000	1450	410	2500	465	625	875	1125	620	1530	1700	3320	876	3	1 1/4	dn20	1	1/2	220x320
6000	1450	410	3000	465	625	875	1125	620	1780	1700	3820	1023	3	1 1/4	dn20	1	1/2	220x320
8000	1650	460	3000	525	725	975	1225	690	1810	1900	3920	1390	4	1 1/4	dn20	1	1/2	300x400
9000	1650	460	3800	525	725	975	1225	690	2210	1900	4720	1625	4	1 1/4	dn20	1	1/2	300x400
10000	1650	460	4000	525	725	975	1225	690	2310	1900	4920	1683	4	1 1/4	dn20	1	1/2	300x400
15000	2000	560	4000	700	900	1150	1400	800	2410	2250	5120	2496	4	1 1/4	dn20	1	1/2	300x400
20000	2000	560	5500	700	900	1150	1400	800	3160	2250	6620	3104	4	1 1/4	dn20	1	1/2	300x400

Inspection hole on demand * 100x150

P.E.D. tested varnished expansion vessel for pressurized water, 6, 8 bar – VE series

PN 6 bar

Vertical			Horizontal		
Code	Description	Price	Code	Description	Price
867010001X	VERN 300L PED 6BAR 165°C VERT		867010022X	VERN 300L PED 6BAR 165°C ORIZZ	
867010002X	VERN 500L PED 6BAR 165°C VERT		867010023X	VERN 500L PED 6BAR 165°C ORIZZ	
867010003X	VERN 1000L PED 6BAR 165°C VERT		867010024X	VERN 1000L PED 6BAR 165°C ORIZZ	
867010004X	VERN 1000B L PED 6BAR 165°C VERT		867010025X	VERN 1000B L PED 6BAR 165°C ORIZZ	
867010005X	VERN 1500L PED 6BAR 165°C VERT		867010026X	VERN 1500L PED 6BAR 165°C ORIZZ	
867010006X	VERN 1500B L PED 6BAR 165°C VERT		867010027X	VERN 1500B L PED 6BAR 165°C ORIZZ	
867010007X	VERN 2000L PED 6BAR 165°C VERT		867010028X	VERN 2000L PED 6BAR 165°C ORIZZ	
867010008X	VERN 2000B L PED 6BAR 165°C VERT		867010029X	VERN 2000B L PED 6BAR 165°C ORIZZ	
867010009X	VERN 2500B1 L PED 6BAR 165°C VERT		867010030X	VERN 2500B1 L PED 6BAR 165°C ORIZZ	
867010010X	VERN 3000L PED 6BAR 165°C VERT		867010031X	VERN 3000L PED 6BAR 165°C ORIZZ	
867010011X	VERN 3000B L PED 6BAR 165°C VERT		867010032X	VERN 3000B L PED 6BAR 165°C ORIZZ	
867010012X	VERN 3000C L PED 6BAR 165°C VERT		867010033X	VERN 3000C L PED 6BAR 165°C VERT	
867010013X	VERN 4000L PED 6BAR 165°C VERT		867010034X	VERN 4000L PED 6BAR 165°C ORIZZ	
867010014X	VERN 5000L PED 6BAR 165°C VERT		867010035X	VERN 5000L PED 6BAR 165°C ORIZZ	
867010015X	VERN 5000B L PED 6BAR 165°C VERT		867010036X	VERN 5000B L PED 6BAR 165°C ORIZZ	
867010016X	VERN 6000L PED 6BAR 165°C VERT		867010037X	VERN 6000L PED 6BAR 165°C ORIZZ	
867010017X	VERN 8000L PED 6BAR 165°C VERT	◆	867010038X	VERN 8000L PED 6BAR 165°C ORIZZ	◆
867010018X	VERN 9000L PED 6BAR 165°C VERT	◆	867010039X	VERN 9000L PED 6BAR 165°C ORIZZ	◆
867010019X	VERN 10000L PED 6BAR 165°C VERT	◆	867010040X	VERN 10000L PED 6BAR 165°C ORIZZ	◆

PN 8 bar

Vertical			Horizontal		
Code	Description	Price	Code	Description	Price
867010043X	VERN 300L PED 8BAR 176°C VERT		867010058X	VERN 300L PED 8BAR 176°C ORIZZ	
867010044X	VERN 500L PED 8BAR 176°C VERT		867010059X	VERN 500L PED 8BAR 176°C ORIZZ	
867010045X	VERN 1000L PED 8BAR 176°C VERT		867010060X	VERN 1000L PED 8BAR 176°C ORIZZ	
867010046X	VERN 1500L PED 8BAR 176°C VERT		867010061X	VERN 1500L PED 8BAR 176°C ORIZZ	
867010047X	VERN 2000L PED 8BAR 176°C VERT		867010062X	VERN 2000L PED 8BAR 176°C ORIZZ	
867010048X	VERN 3000L PED 8BAR 176°C VERT		867010063X	VERN 3000L PED 8BAR 176°C ORIZZ	
867010049X	VERN 4000L PED 8BAR 176°C VERT		867010064X	VERN 4000L PED 8BAR 176°C ORIZZ	
867010050X	VERN 5000L PED 8BAR 176°C VERT		867010065X	VERN 5000L PED 8BAR 176°C ORIZZ	
867010051X	VERN 5000B L PED 8BAR 176°C VERT		867010066X	VERN 5000B L PED 8BAR 176°C ORIZZ	
867010052X	VERN 6000L PED 8BAR 176°C VERT		867010067X	VERN 6000L PED 8BAR 176°C ORIZZ	
867010053X	VERN 8000L PED 8BAR 176°C VERT	◆	867010068X	VERN 8000L PED 8BAR 176°C ORIZZ	◆
867010054X	VERN 9000L PED 8BAR 176°C VERT	◆	867010069X	VERN 9000L PED 8BAR 176°C ORIZZ	◆
867010055X	VERN 10000L PED 8BAR 176°C VERT	◆	867010070X	VERN 10000L PED 8BAR 176°C ORIZZ	◆
867010056X	VERN 15000L PED 8BAR 176°C VERT	◆	867010071X	VERN 15000L PED 8BAR 176°C ORIZZ	◆
867010057X	VERN 20000L PED 8BAR 176°C VERT	◆	867010072X	VERN 20000L PED 8BAR 176°C ORIZZ	◆

◆ Request quotation

P.E.D. tested varnished expansion vessel for pressurized water, 12 bar – VE series

PN 12 bar

Vertical			Horizontal		
Code	Description	Price	Code	Description	Price
867010073X	VERN 300L PED 12BAR 200°C VERT		867010088X	VERN 300L PED 12BAR 200°C ORIZZ	
867010074X	VERN 500L PED 12BAR 200°C VERT		867010089X	VERN 500L PED 12BAR 200°C ORIZZ	
867010075X	VERN 1000L PED 12BAR 200°C VERT		867010090X	VERN 1000L PED 12BAR 200°C ORIZZ	
867010076X	VERN 1500L PED 12BAR 200°C VERT		867010091X	VERN 1500L PED 12BAR 200°C VERT	
867010077X	VERN 2000L PED 12BAR 200°C VERT		867010092X	VERN 2000L PED 12BAR 200°C ORIZZ	
867010078X	VERN 3000L PED 12BAR 200°C VERT		867010093X	VERN 3000L PED 12BAR 200°C ORIZZ	
867010079X	VERN 4000L PED 12BAR 200°C VERT		867010094X	VERN 4000L PED 12BAR 200°C ORIZZ	
867010080X	VERN 5000L PED 12BAR 200°C VERT		867010095X	VERN 5000L PED 12BAR 200°C ORIZZ	
867010081X	VERN 5000B L PED 12BAR 200°C VERT		867010096X	VERN 5000B L PED 12BAR 200°C ORIZZ	
867010082X	VERN 6000L PED 12BAR 200°C VERT		867010097X	VERN 6000L PED 12BAR 200°C ORIZZ	
867010083X	VERN 8000L PED 12BAR 200°C VERT	◆	867010098X	VERN 8000L PED 12BAR 200°C ORIZZ	◆
867010084X	VERN 9000L PED 12BAR 200°C VERT	◆	867010099X	VERN 9000L PED 12BAR 200°C ORIZZ	◆
867010085X	VERN 10000L PED 12BAR 200°C VERT	◆	867010100X	VERN 10000L PED 12BAR 200°C ORIZZ	◆
867010086X	VERN 15000L PED 12BAR 200°C VERT	◆	867010101X	VERN 15000L PED 12BAR 200°C ORIZZ	◆

◆ Request quotation