

Heat exchanger group for domestic hot water production – AFK-HD

The AFK-HD system for the fast preparation of Domestic Hot Water can be coupled with storage tanks that are already installed in small, medium-sized and large settings. The available thermal exchange units can be coupled with all storage tank of the FLEXY, FLEXY INOX, BOIL and BOIL INOX series.

The AFK-HD system consists of:

- ✓ Gasketed plate heat exchanger – AISI 316L stainless steel, model K042 or K080;
- ✓ Stainless steel self-supporting base with adjustable feet;
- ✓ Stainless steel recirculation pump on the tap water side;

Available accessories

All exchangers can be installed with the following accessories (on request)

- ✓ Removable heat exchanger insulation (optional);
- ✓ Thermostat for primary circuit (optional);
- ✓ control unit SLC (see pag. 266)

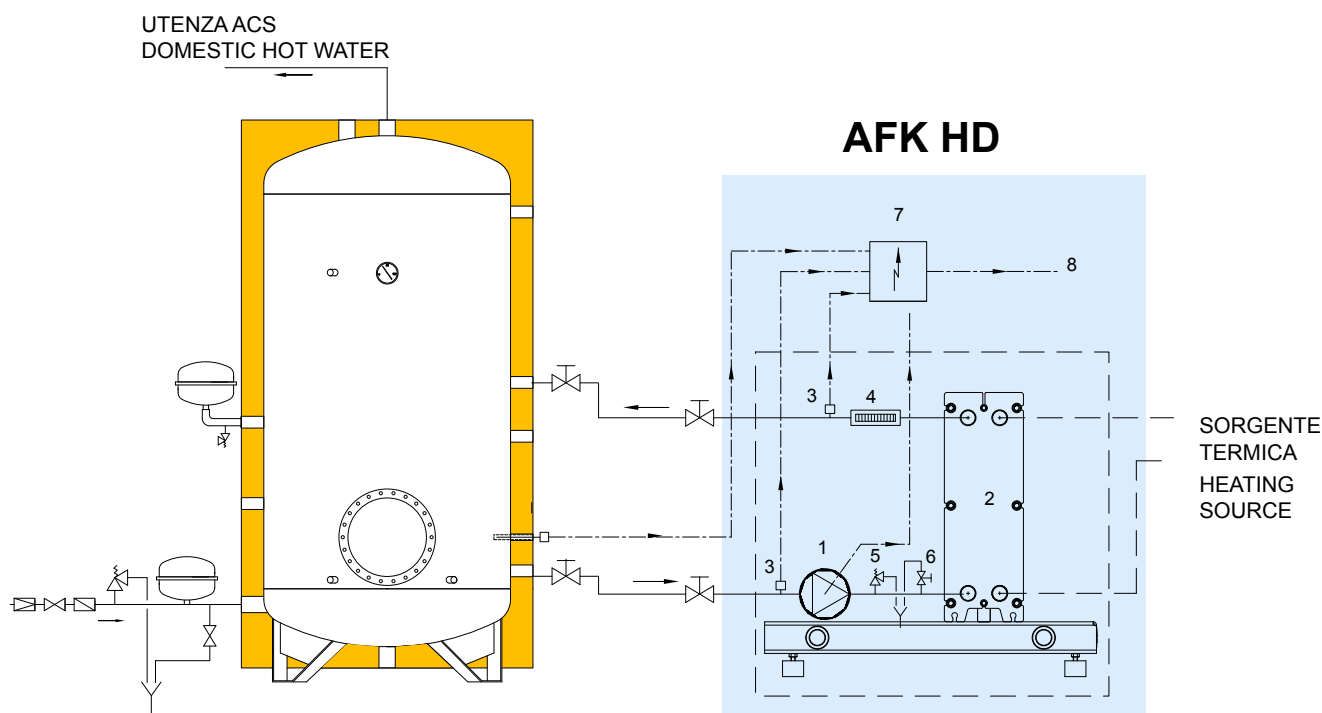
Available on request, for versions up to the AFK HD 200.



Primary circuit		Secondary circuit	
Max temperature	Max pressure	Max temperature	Max pressure
95°C	16 bar	195°C	6 bar

Codes and accessories

AFK-HD



model	exchanger	code	price	packed	
				dimensions cm	weight kg
AFK-HD 35	K042/09	841060019X		28x49x105	51
AFK-HD 70	K042/15	841060020X		28x49x105	53
AFK-HD 115	K042/21	841060021X		28x49x105	55
AFK-HD 150	K042/25	841060022X		28x49x105	56
AFK-HD 200	K042/33	841060018X		28x49x105	59
AFK-HD 250	K080H/23	841060023X		105x33x95	126
AFK-HD 300	K080H/29	841060024X		105x33x95	129
AFK-HD 350	K080H/33	841060025X		105x33x95	131
AFK-HD 400	K080H/39	841060026X		105x33x95	140

List of components
1. Stainless steel recirculation pump
2. Gasketed plate heat exchanger
3. Flow rate regulator
4. Probe holder
5. Safety valve
6. drain valve
7. Electronic control panel (optional)
8. Output signal for primary circuit

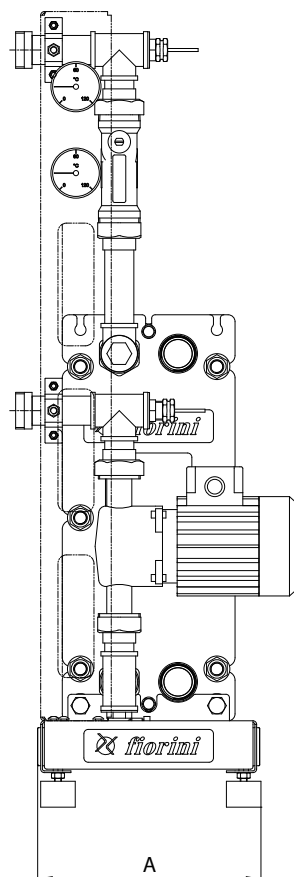
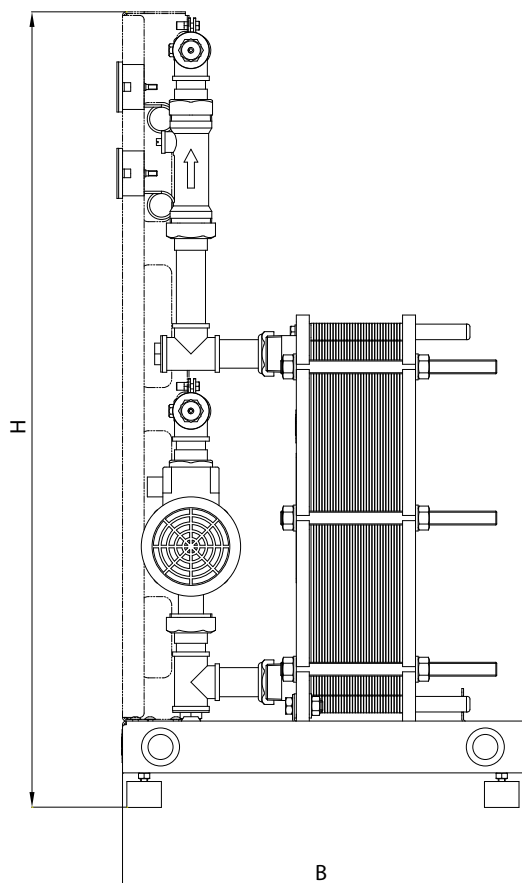
code	accessories	price
822120028	SLC electronic control unit (see pag. 266)	

Accessory for versions only up to AFK 200 included

Insulation kit AFK HD			
K042		K080	
code	price	code	price
821080037X		821080038X	

Technical information

AFK-HD



Technical information

Model	Exchanger	Power kW	Flow primary L/h	Pdc primary kPa	Electrical features pump		A	B	H	Couplings inch
					Tension V/Hz/ph	Min-max current A				
SIZE 1										
AFK-HD 35	K042/09	30*/10**	1500*/1800*	18*/25**	230/50/1	0.04-1.1	305	464	921	1 1/4
AFK-HD 70	K042/15	70*/22**	3000*/3900**	24*/40**	230/50/1	0.04-1.1	305	464	921	1 1/4
AFK-HD 115	K042/21	110*/33**	5000*/5800**	33*/45**	230/50/1	0.04-1.1	305	464	921	1 1/4
AFK-HD 150	K042/25	150*/39**	6500*/6800**	39*/45**	230/50/1	0.04-1.1	305	464	921	1 1/4
AFK-HD 200	K042/33	200*/50**	8600*/8700**	39*/43**	230/50/1	0.04-1.1	305	464	921	1 1/4
SIZE 2										
AFK-HD 250	K080H/23	250*/165**	8800*/8800**	49*/49**	400/50/3	1.03	305	1031	829	1 1/2
AFK-HD 300	K080H/29	300*/170**	10500*/10500**	48*/48**	400/50/3	1.03	305	1031	829	1 1/2
AFK-HD 350	K080H/33	350*/210**	12500*/12500**	47*/47**	400/50/3	1.03	305	1031	829	1 1/2
AFK-HD 400	K080H/39	400*/250**	14100*/14100**	46*/46**	400/50/3	1.03	305	1031	829	1 1/2

* Primary 80°C, Secondary 10/45°C ** Primary 55°C, Secondary 10/45°C

Performance

AFK-HD

capacity l	k042/09	k042/15	k042/21	k042/25	k042/33	ko80h/23	ko80h/29	ko80h/33	ko80h/39
200	330/500 1100/859	440/725 2000/1717	500/1300 2900/2862	730/2075 4150/3721	810/2330 4900/4866	1055/1995 5765/5650	1340/2570 7485/7370	1505/2895 8465/8350	1830/3550 10430/10320
300	430/600 1300/859	535/1200 2000/1717	590/1400 2905/2862	800/2125 4200/3721	880/2375 4900/4866	1110/2055 5820/5650	1400/2625 7540/7370	1560/2955 8525/8350	1890/3610 10490/10320
500	665/800 1500/859	730/1475 2100/1717	785/1660 2910/2862	990/2310 4175/3721	1060/2560 4910/4866	1225/2165 5935/5650	1510/2740 7655/7370	1675/3070 8640/8350	2005/3725 10605/10320
800	900/1030 1750/859	980/1835 2300/1717	1030/2025 2920/2862	1230/2625 4175/3721	1300/2860 4915/4866	1395/2340 6105/5650	1685/2910 7825/7370	1845/3240 8810/8350	2175/3895 10775/10320
1000	1130/1300 1900/859	1220/2200 2500/1414	1280/2385 2930/2862	1470/300 4300/3721	1540/3200 4920/4866	1510/2455 6220/5650	1800/3025 7940/7370	1960/3355 8925/8350	2290/4010 10890/10320
1500	1630/1830 2490/859	1725/2950 2975/1717	1780/3125 3350/2862	1965/3710 4675/3721	2025/3925 5150/4866	1795/2740 6505/5650	2085/3310 8225/7370	2245/3640 9210/8350	2575/4295 11175/10320
2000	2160/2300 300/859	2220/3700 3450/1717	2280/3860 3825/2862	2465/4450 5100/3721	2500/4650 5550/4866	2080/3025 6790/5650	2370/3600 8510/7370	2535/3925 9595/8350	2860/4580 11460/10320

DHW distribution in liters in the first 10/20/60 minutes and continuous distribution flow in l/h (primary 80°C, distribution 45°C)